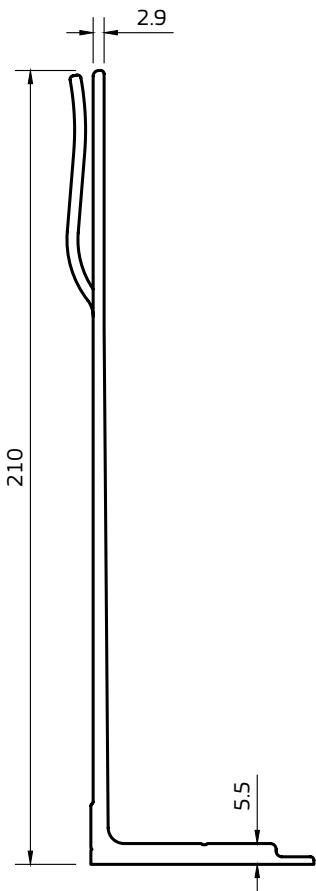
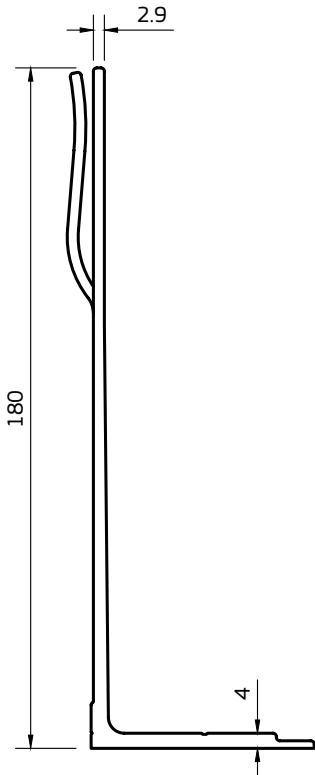


**WALL
BRACKETS**

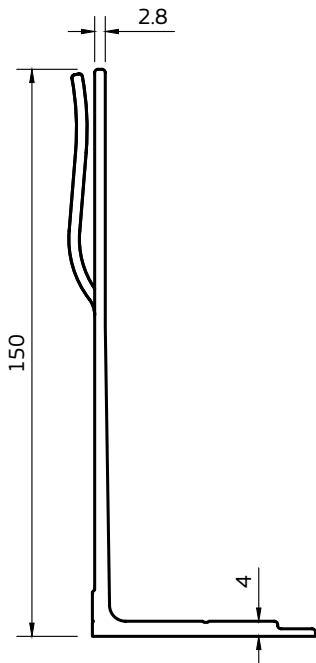
SYSTEM COMPONENTS



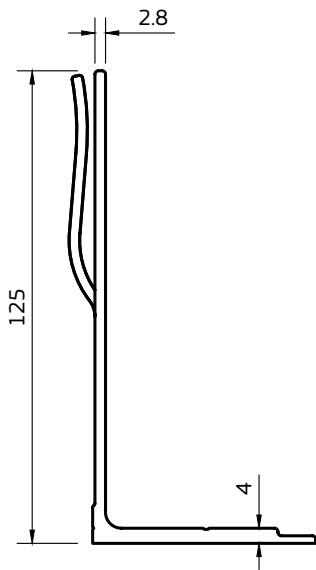
QVB 210



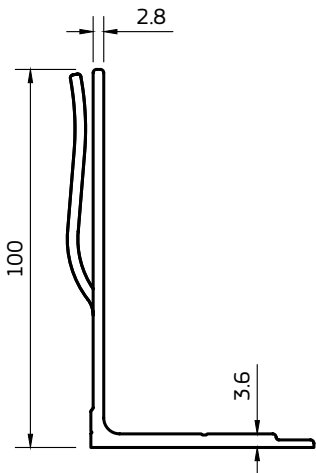
QVB 180



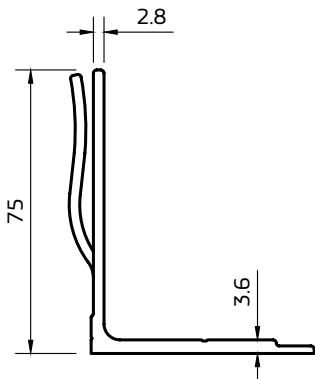
QVB 150



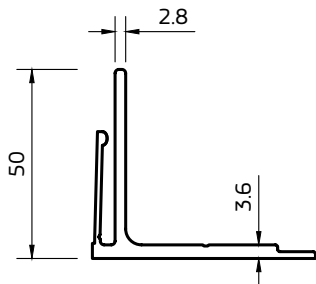
QVB 125



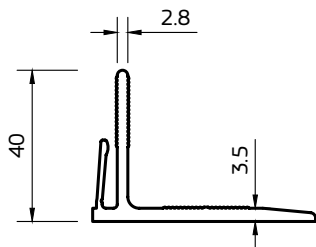
QVB 100



QVB 75

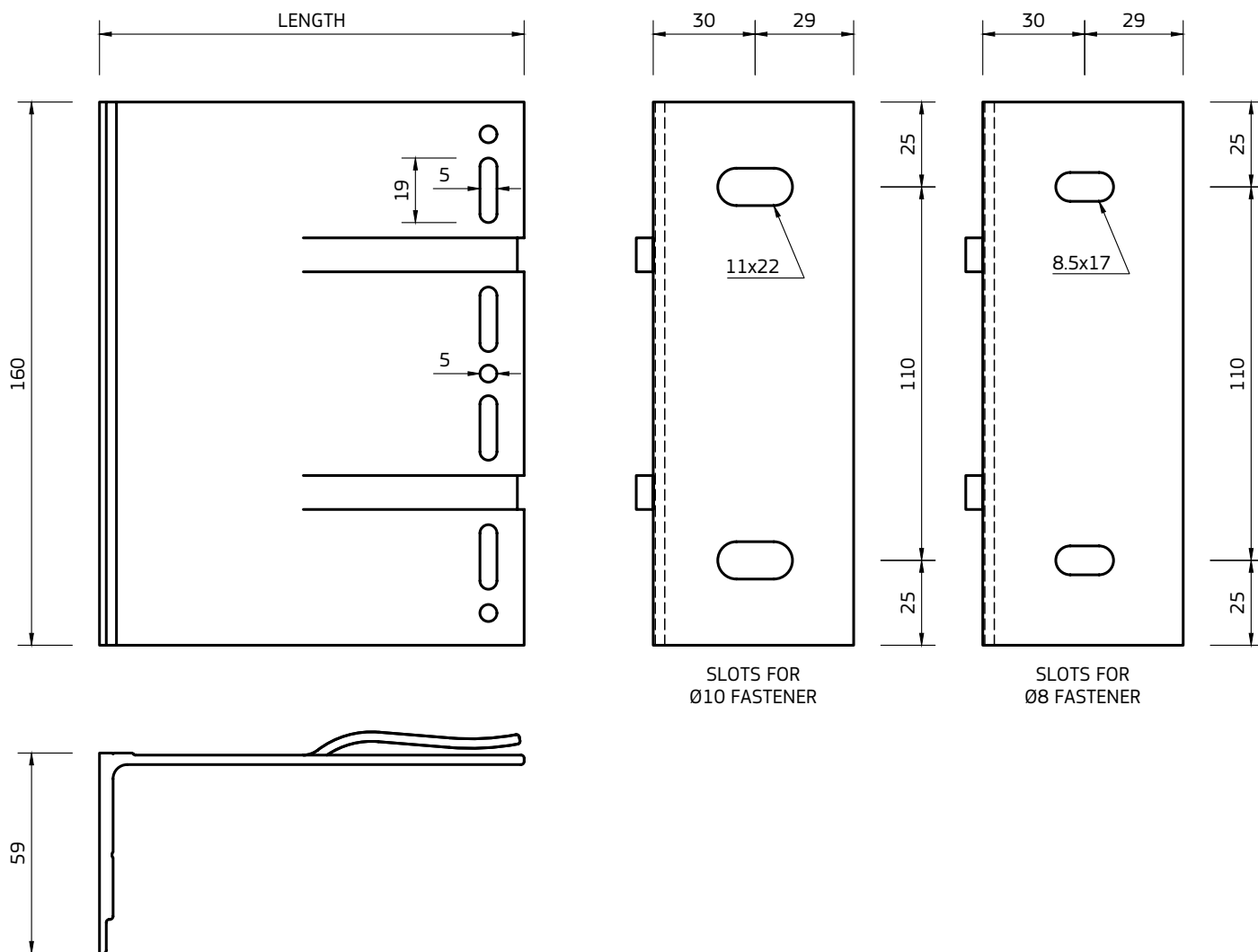


QVB 50



QVB 40

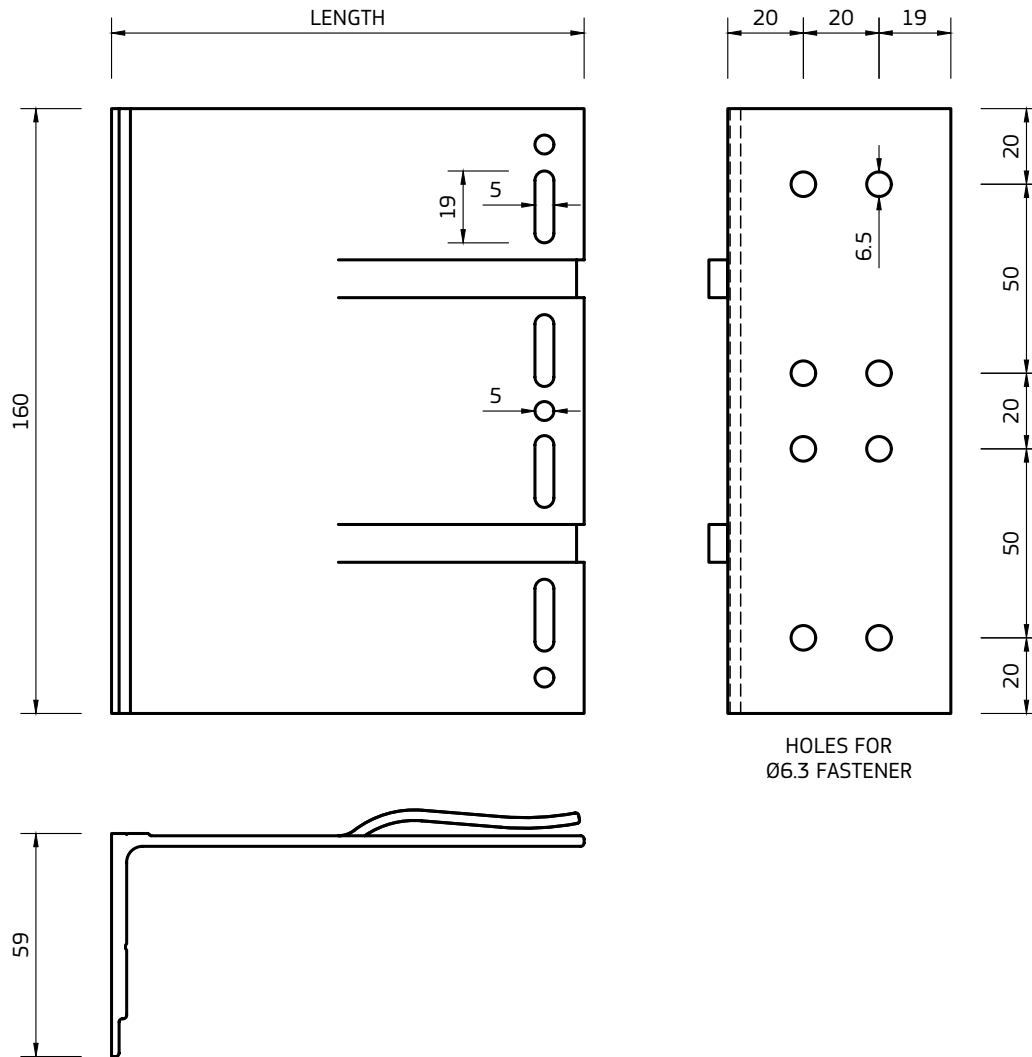
SYSTEM COMPONENTS



MATERIAL: AW 6063 T6 FINISH: UNPAINTED

LENGTH	HOLES FOR Ø10 FASTENER		HOLES FOR Ø8 FASTENER		WEIGHT
	Article No	Description	Article No	Description	
210 mm	02.210.160.10	Wall bracket QVB 210/160 (2x10)	02.210.160.08	Wall bracket QVB 210/160 (2x8)	419 g/pcs
180 mm	02.180.160.10	Wall bracket QVB 180/160 (2x10)	02.180.160.08	Wall bracket QVB 180/160 (2x8)	343 g/pcs
150 mm	02.150.160.10	Wall bracket QVB 150/160 (2x10)	02.150.160.08	Wall bracket QVB 150/160 (2x8)	293 g/pcs
125 mm	02.125.160.10	Wall bracket QVB 125/160 (2x10)	02.125.160.08	Wall bracket QVB 125/160 (2x8)	242 g/pcs
100 mm	02.100.160.10	Wall bracket QVB 100/160 (2x10)	02.100.160.08	Wall bracket QVB 100/160 (2x8)	204 g/pcs
75 mm	02.75.160.10	Wall bracket QVB 75/160 (2x10)	02.75.160.08	Wall bracket QVB 75/160 (2x8)	174 g/pcs
50 mm	02.50.160.10	Wall bracket QVB 50/160 (2x10)	02.50.160.08	Wall bracket QVB 50/160 (2x8)	162 g/pcs
40 mm	02.40.160.10	Wall bracket QVB 40/160 (2x10)	02.40.160.08	Wall bracket QVB 40/160 (2x8)	147 g/pcs

SYSTEM COMPONENTS

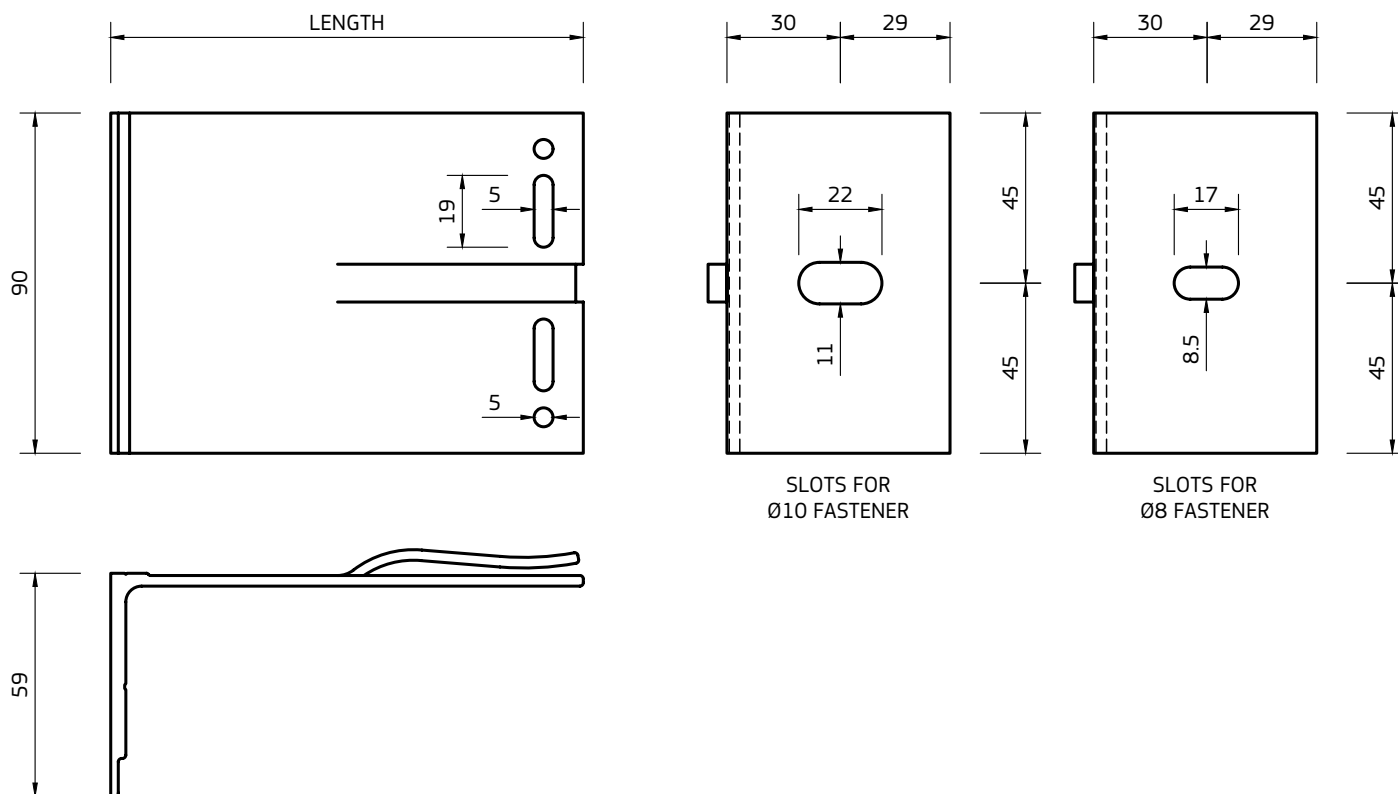


HOLES FOR Ø6.3 FASTENER

MATERIAL: AW 6063 T6 FINISH: UNPAINTED

LENGTH	HOLES FOR Ø6.3 FASTENER		WEIGHT
	Article No	Description	
210 mm	02.210.160.63	Wall bracket QVB 210/160 (8x6.3)	419 g/pcs
180 mm	02.180.160.63	Wall bracket QVB 180/160 (8x6.3)	343 g/pcs
150 mm	02.150.160.63	Wall bracket QVB 150/160 (8x6.3)	293 g/pcs
125 mm	02.125.160.63	Wall bracket QVB 125/160 (8x6.3)	242 g/pcs
100 mm	02.100.160.63	Wall bracket QVB 100/160 (8x6.3)	204 g/pcs
75 mm	02.75.160.63	Wall bracket QVB 75/160 (8x6.3)	174 g/pcs
50 mm	02.50.160.63	Wall bracket QVB 50/160 (8x6.3)	162 g/pcs
40 mm	02.40.160.63	Wall bracket QVB 40/160 (8x6.3)	147 g/pcs

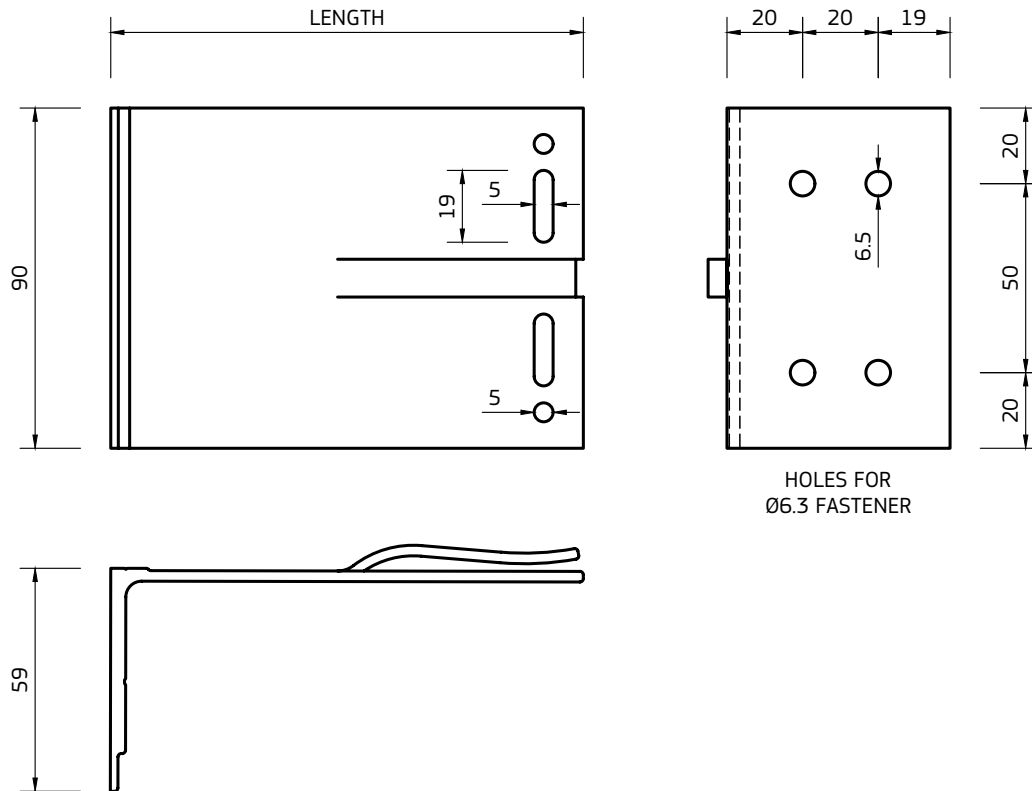
SYSTEM COMPONENTS



MATERIAL: AW 6063 T6 FINISH: UNPAINTED

LENGTH	HOLES FOR Ø10 FASTENER		HOLES FOR Ø6.3 FASTENER		WEIGHT
	Article No	Description	Article No	Description	
210 mm	02.210.90.10	Wall bracket QVB 210/90 (1x10)	02.210.90.08	Wall bracket QVB 210/90 (1x8)	236 g/pcs
180 mm	02.180.90.10	Wall bracket QVB 180/90 (1x10)	02.180.90.08	Wall bracket QVB 180/90 (1x8)	193 g/pcs
150 mm	02.150.90.10	Wall bracket QVB 150/90 (1x10)	02.150.90.08	Wall bracket QVB 150/90 (1x8)	165 g/pcs
125 mm	02.125.90.10	Wall bracket QVB 125/90 (1x10)	02.125.90.08	Wall bracket QVB 125/90 (1x8)	136 g/pcs
100 mm	02.100.90.10	Wall bracket QVB 100/90 (1x10)	02.100.90.08	Wall bracket QVB 100/90 (1x8)	115 g/pcs
75 mm	02.75.90.10	Wall bracket QVB 75/90 (1x10)	02.75.90.08	Wall bracket QVB 75/90 (1x8)	98 g/pcs
50 mm	02.50.90.10	Wall bracket QVB 50/90 (1x10)	02.50.90.08	Wall bracket QVB 50/90 (1x8)	91 g/pcs
40 mm	02.40.90.10	Wall bracket QVB 40/90 (1x10)	02.40.90.08	Wall bracket QVB 40/90 (1x8)	83 g/pcs

SYSTEM COMPONENTS

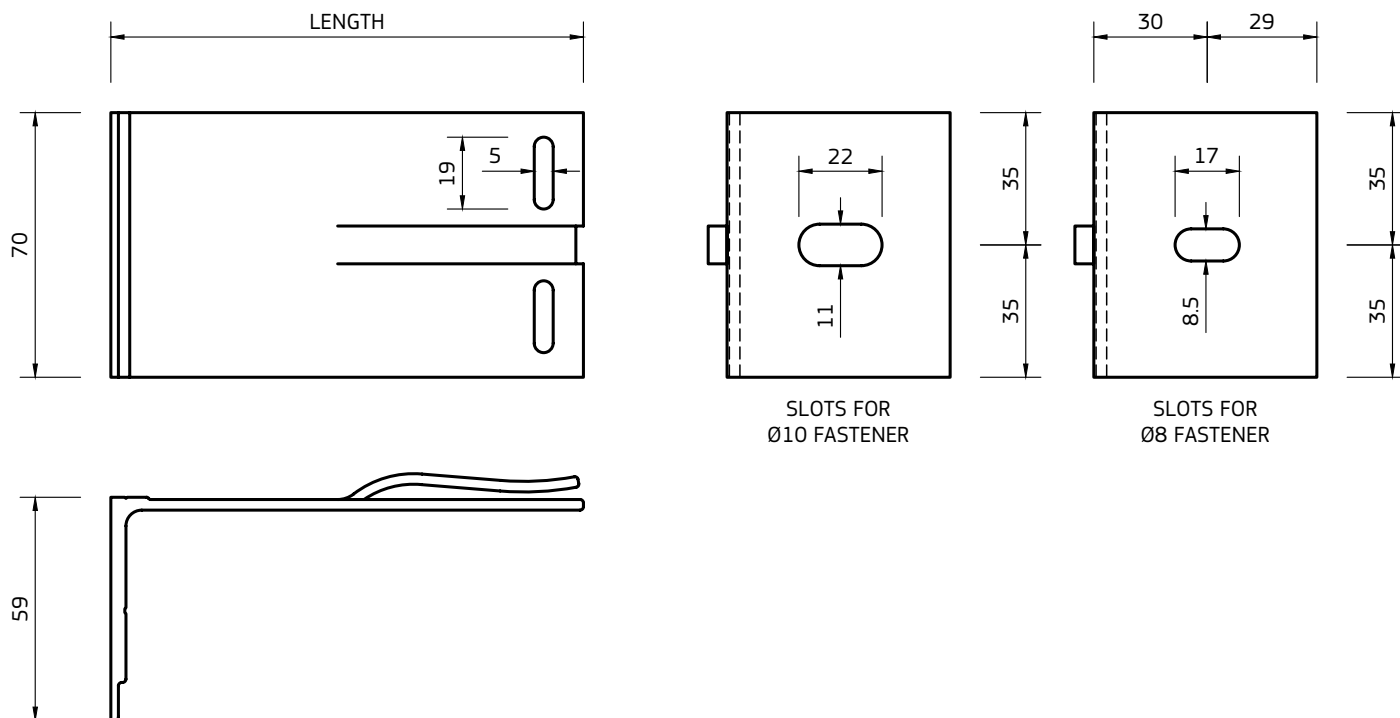


HOLES FOR Ø6.3 FASTENER

MATERIAL: AW 6063 T6 FINISH: UNPAINTED

LENGTH	HOLES FOR Ø6.3 FASTENER		WEIGHT
	Article No	Description	
210 mm	02.210.90.63	Wall bracket QVB 210/90 (4x6.3)	236 g/pcs
180 mm	02.180.90.63	Wall bracket QVB 180/90 (4x6.3)	193 g/pcs
150 mm	02.150.90.63	Wall bracket QVB 150/90 (4x6.3)	165 g/pcs
125 mm	02.125.90.63	Wall bracket QVB 125/90 (4x6.3)	136 g/pcs
100 mm	02.100.90.63	Wall bracket QVB 100/90 (4x6.3)	115 g/pcs
75 mm	02.75.90.63	Wall bracket QVB 75/90 (4x6.3)	98 g/pcs
50 mm	02.50.90.63	Wall bracket QVB 50/90 (4x6.3)	91 g/pcs
40 mm	02.40.90.63	Wall bracket QVB 40/90 (4x6.3)	83 g/pcs

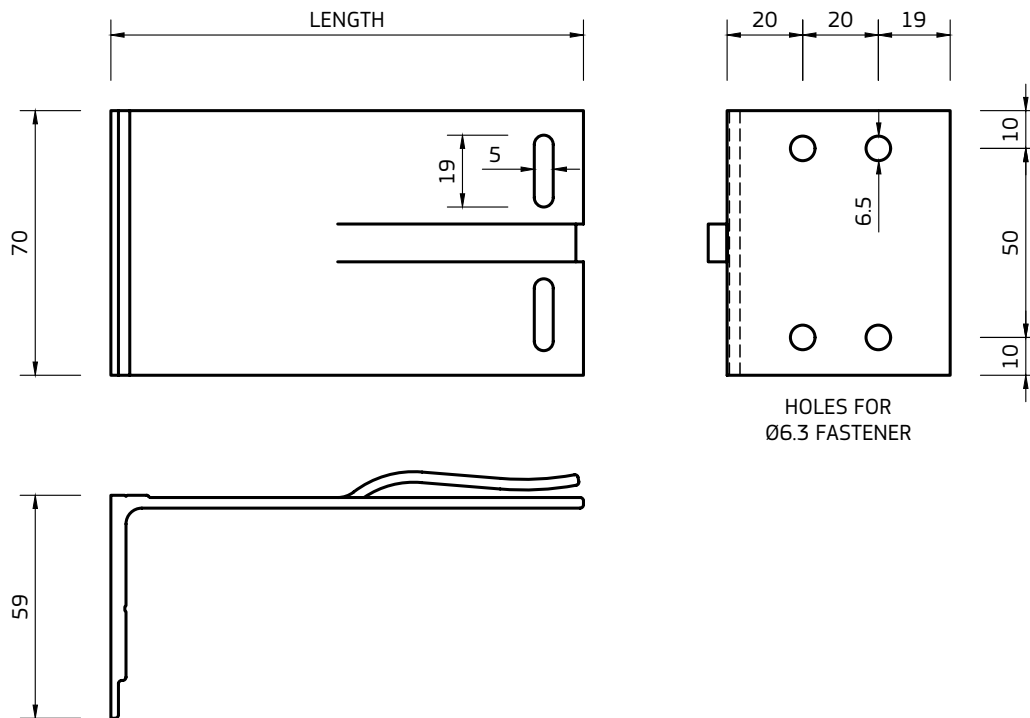
SYSTEM COMPONENTS



MATERIAL: AW 6063 T6 FINISH: UNPAINTED

LENGTH	HOLES FOR Ø10 FASTENER		HOLES FOR Ø6.3 FASTENER		WEIGHT
	Article No	Description	Article No	Description	
210 mm	02.210.70.10	Wall bracket QVB 210/70 (1x10)	02.210.70.08	Wall bracket QVB 210/70 (1x8)	183 g/pcs
180 mm	02.180.70.10	Wall bracket QVB 180/70 (1x10)	02.180.70.08	Wall bracket QVB 180/70 (1x8)	150 g/pcs
150 mm	02.150.70.10	Wall bracket QVB 150/70 (1x10)	02.150.70.08	Wall bracket QVB 150/70 (1x8)	128 g/pcs
125 mm	02.125.70.10	Wall bracket QVB 125/70 (1x10)	02.125.70.08	Wall bracket QVB 125/70 (1x8)	106 g/pcs
100 mm	02.100.70.10	Wall bracket QVB 100/70 (1x10)	02.100.70.08	Wall bracket QVB 100/70 (1x8)	89 g/pcs
75 mm	02.75.70.10	Wall bracket QVB 75/70 (1x10)	02.75.70.08	Wall bracket QVB 75/70 (1x8)	76 g/pcs
50 mm	02.50.70.10	Wall bracket QVB 50/70 (1x10)	02.50.70.08	Wall bracket QVB 50/70 (1x8)	71 g/pcs
40 mm	02.40.70.10	Wall bracket QVB 40/70 (1x10)	02.40.70.08	Wall bracket QVB 40/70 (1x8)	64 g/pcs

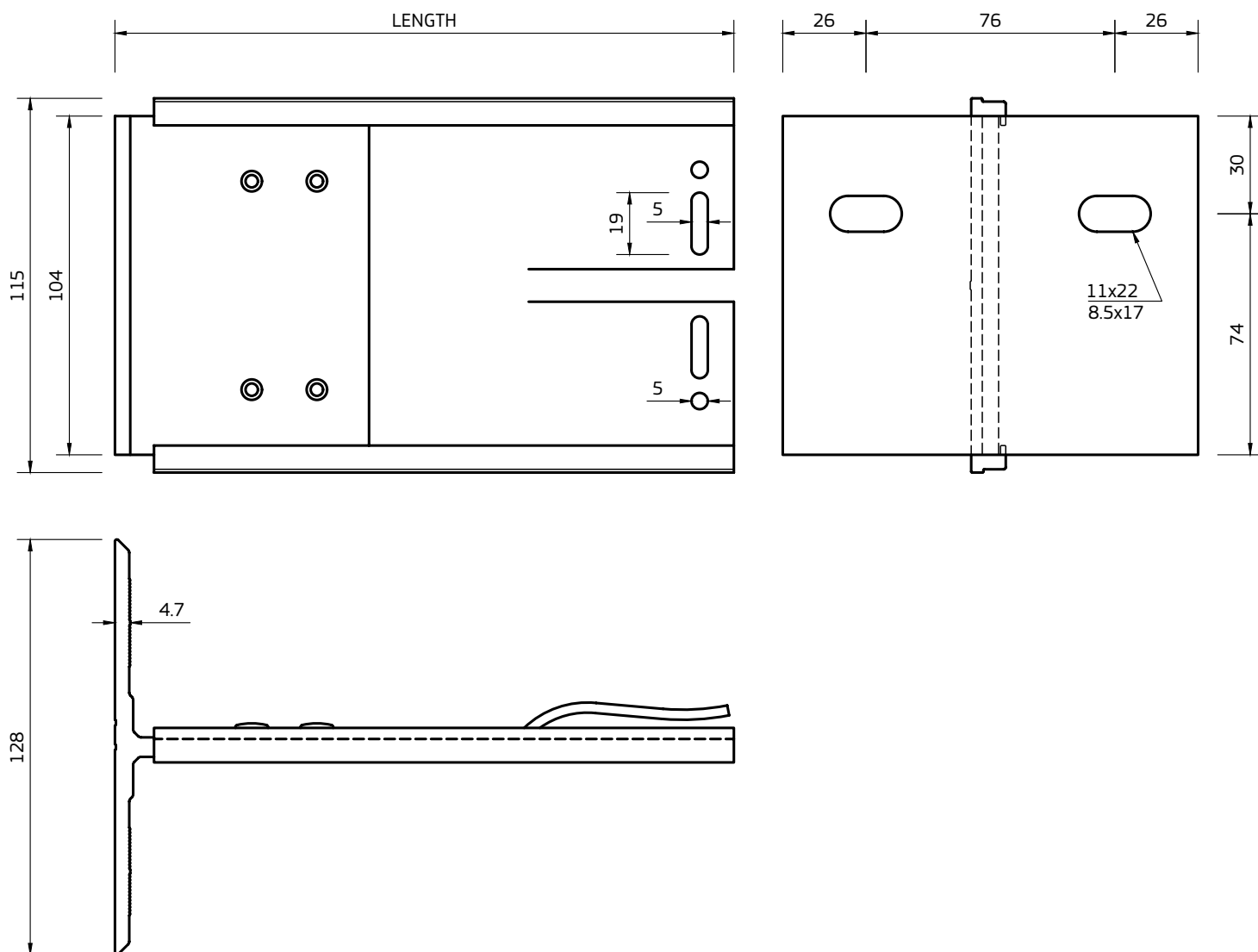
SYSTEM COMPONENTS



MATERIAL: AW 6063 T6 FINISH: UNPAINTED

LENGTH	HOLES FOR Ø6.3 FASTENER		WEIGHT
	Article No	Description	
210 mm	02.210.70.63	Wall bracket QVB 210/70 (4x6.3)	183 g/pcs
180 mm	02.180.70.63	Wall bracket QVB 180/70 (4x6.3)	150 g/pcs
150 mm	02.150.70.63	Wall bracket QVB 150/70 (4x6.3)	128 g/pcs
125 mm	02.125.70.63	Wall bracket QVB 125/70 (4x6.3)	106 g/pcs
100 mm	02.100.70.63	Wall bracket QVB 100/70 (4x6.3)	89 g/pcs
75 mm	02.75.70.63	Wall bracket QVB 75/70 (4x6.3)	76 g/pcs
50 mm	02.50.70.63	Wall bracket QVB 50/70 (4x6.3)	71 g/pcs
40 mm	02.40.70.63	Wall bracket QVB 40/70 (4x6.3)	64 g/pcs

SYSTEM COMPONENTS



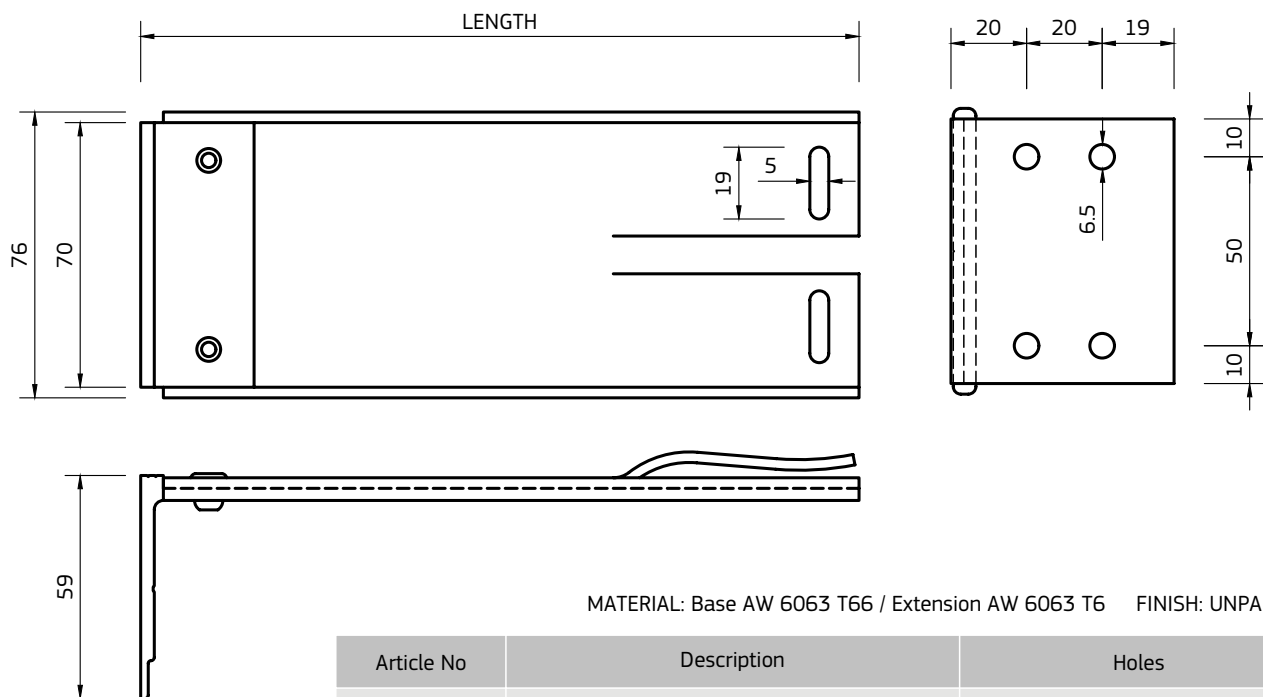
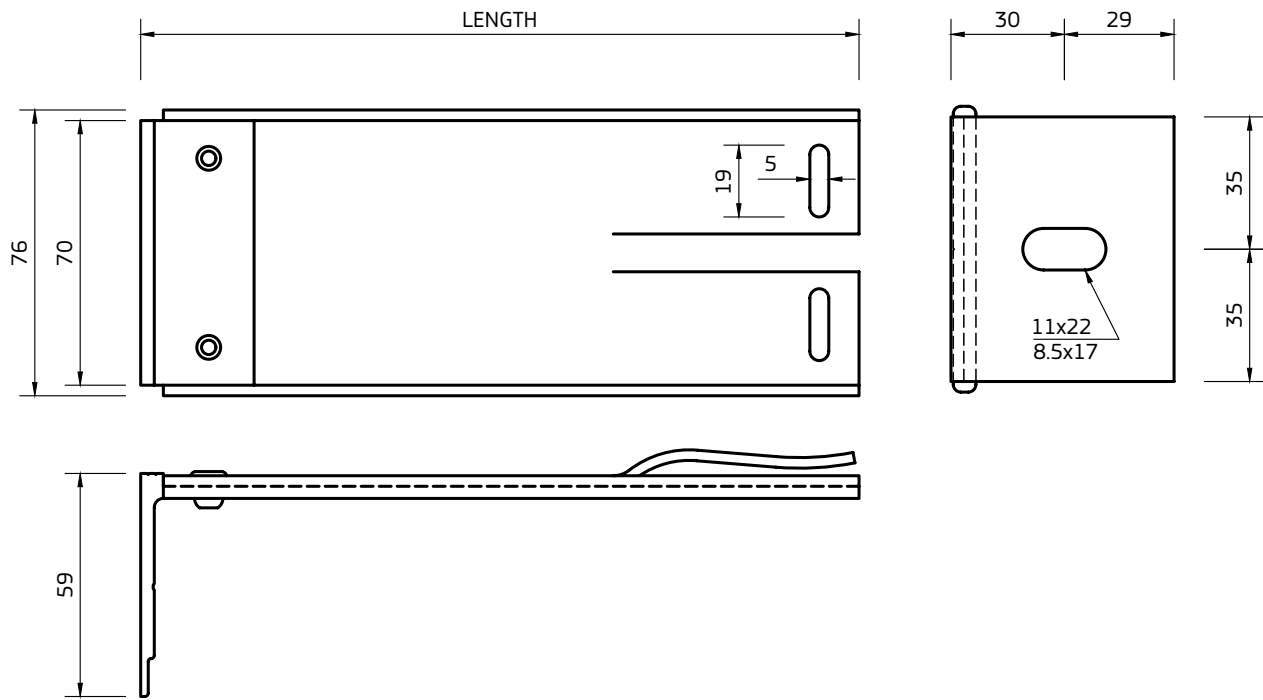
MATERIAL: Base AW 6063 T66 / Extension AW 6063 T6 FINISH: UNPAINTED

Article No	Description	Holes
02.FU.xxx.10	Wall bracket FixU xxx (2x10)	11x22 slots for Ø10 fastener
02.FU.xxx.08	Wall bracket FixU xxx (2x8)	8.5x17 slots for Ø8 fastener

xxx - length

Lengths available from 150 mm.

SYSTEM COMPONENTS



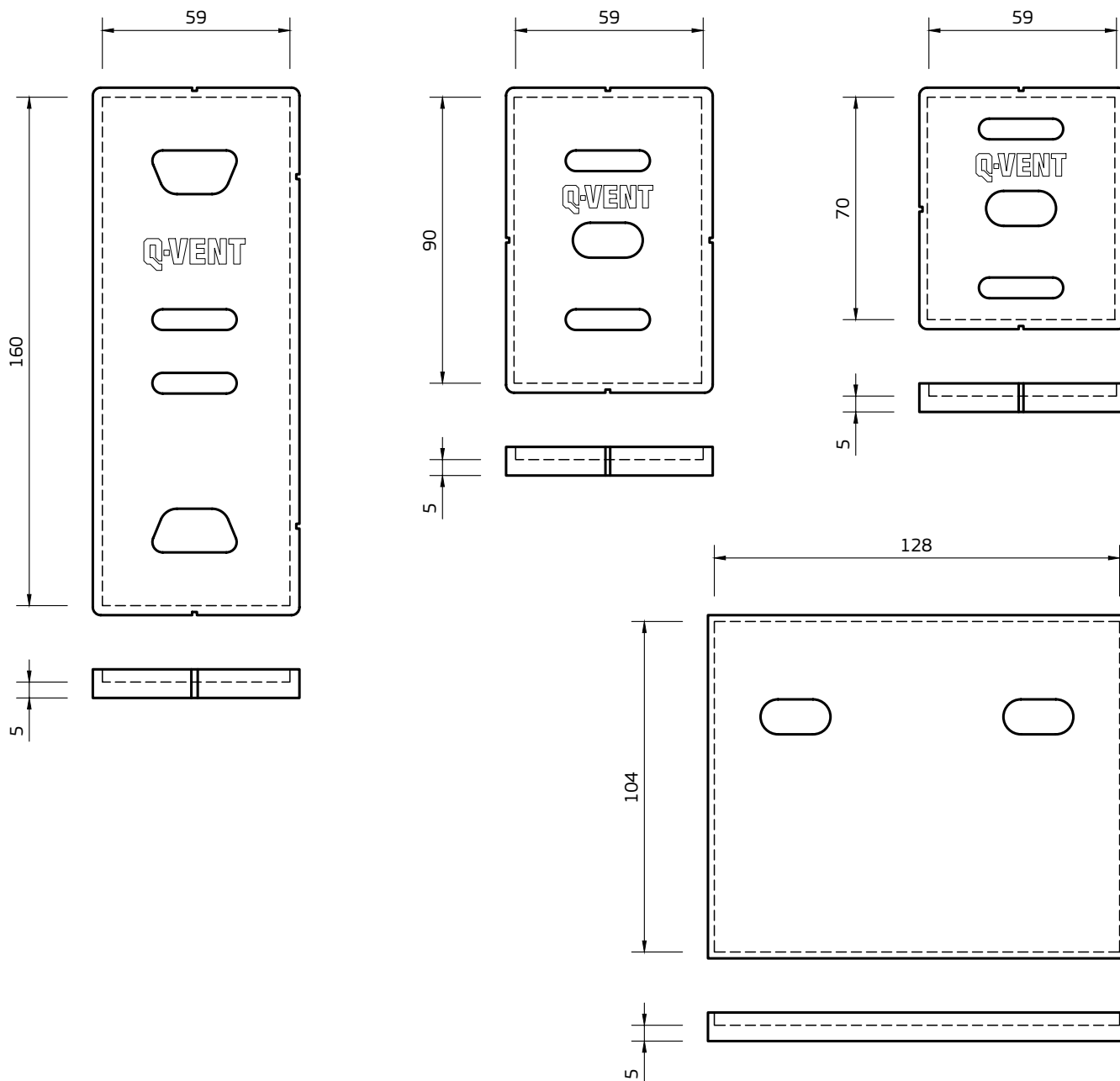
MATERIAL: Base AW 6063 T66 / Extension AW 6063 T6 FINISH: UNPAINTED

Article No	Description	Holes
02.FL.xxx.10	Wall bracket FixU L xxx (1x10)	11x22 slots for Ø10 fastener
02.FL.xxx.08	Wall bracket FixU L xxx (1x8)	8.5x17 slots for Ø8 fastener
02.FL.xxx.63	Wall bracket FixU L xxx (4x6.3)	4xØ6.5 for Ø6.3 fastener

xxx - length

Lengths available from 150 mm.

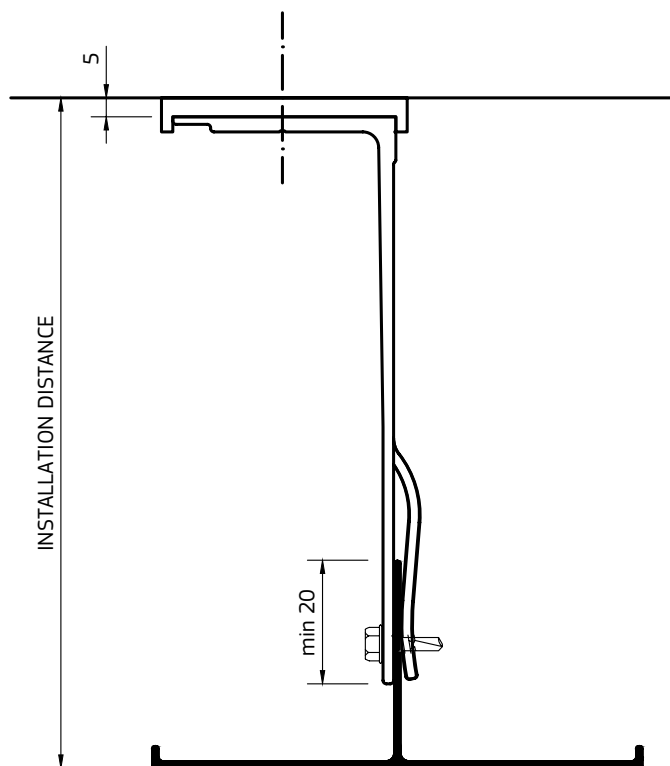
SYSTEM COMPONENTS



MATERIAL: Polypropylene

Article No	Description	WEIGHT
05.59.160	Thermo-pad 160x59	26 g/pcs
05.59.90	Thermo-pad 90x59	17 g/pcs
05.59.70	Thermo-pad 70x59	13 g/pcs
05.104.128	Thermo-pad 104x128	30 g/pcs

SYSTEM COMPONENTS



LENGTH	INSTALLATION DISTANCE ^{(1) (2)}	
	MINIMUM	MAXIMUM
210 mm	218 mm	255 mm
180 mm	188 mm	225 mm
150 mm	158 mm	195 mm
125 mm	128 mm	170 mm
100 mm	108 mm	145 mm
75 mm	83 mm	120 mm
50 mm	58 mm	95 mm
40 mm	55 mm	85 mm

⁽¹⁾ Including 5 mm thermo-pad.

⁽²⁾ Depends of the type of the vertical profile.