



QV6.2

FLAT PANELS

CONCEALED

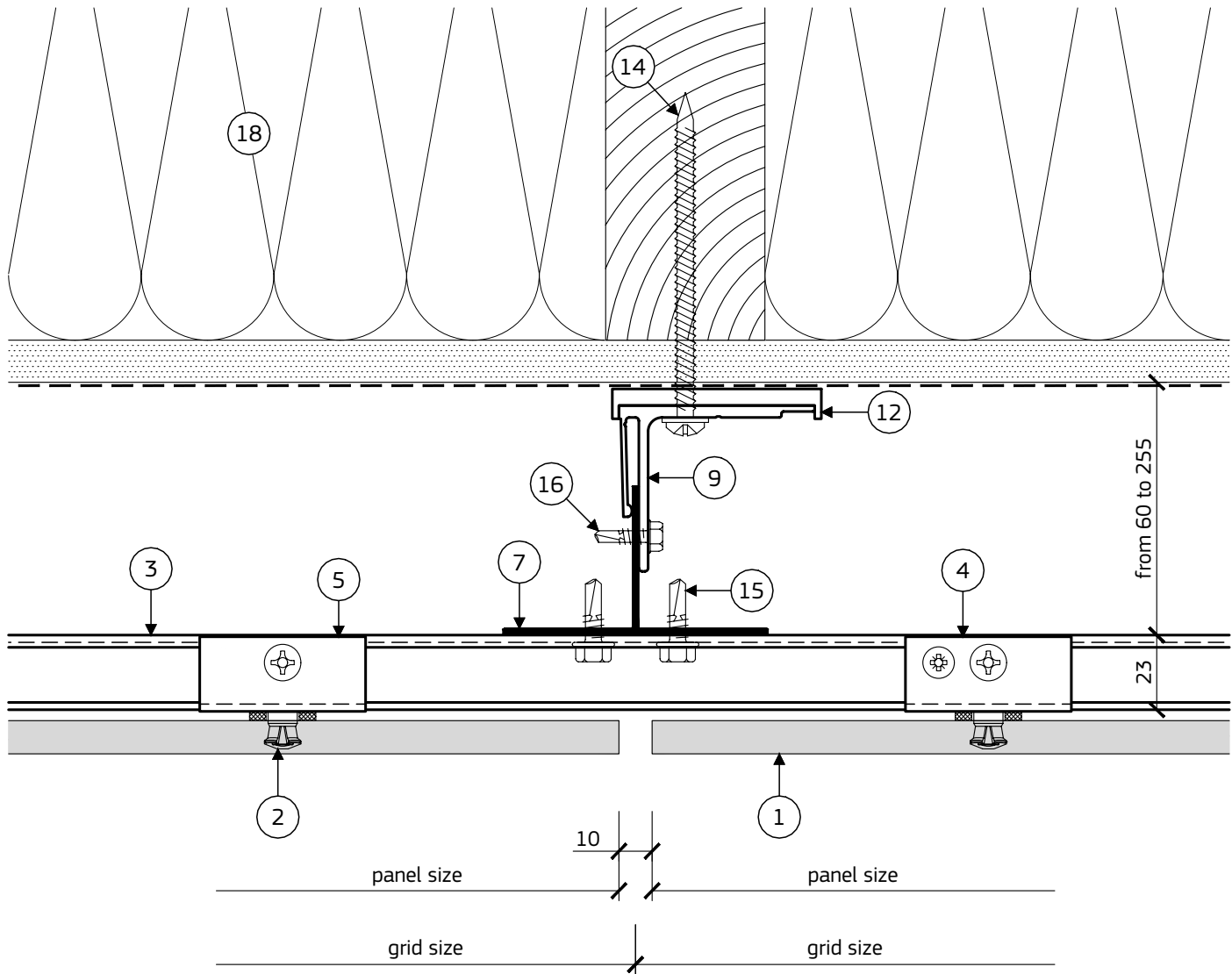
RAINSCREEN

SYSTEM

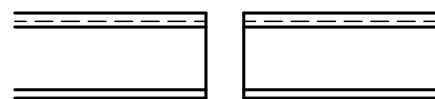
LEGEND

- ① FLAT PANEL
- ② UNDERCUT ANCHOR fischer FZP II
- ③ HORIZONTAL RAIL, SLOTTED HOLES *art.No 06.2.631.xxx*
- ④ ADJUSTABLE HANGER FIXED POINT, M8, SET *art.No 06.201.8.50*
- ⑤ ADJUSTABLE HANGER SLIDING POINT, M8, SET *art.No 06.202.8.50*
- ⑥ HANGER SLIDING POINT, M8. *art.No 06.203.8.50*
- ⑦ PROFILE T80x45x2 *art.No 01.2.80452.xxx*
- ⑧ PROFILE L66x55x2 *art.No 01.1.66552.xxx*
- ⑨ WALL BRACKET QVB 50/160, FIXED POINT *art.No 02.50.160.63*
- ⑩ WALL BRACKET QVB 50/70, SLIDING POINT *art.No 02.50.70.63*
- ⑪ WALL BRACKET QVB 150/70, SLIDING POINT *art.No 02.150.70.63*
- ⑫ THERMO-PAD 160x59 *art.No 05.59.160*
- ⑬ THERMO-PAD 70x59 *art.No 05.59.70*
- ⑭ SCREW
- ⑮ SELF-DRILLING SCREW Ø6.3x19 mm, A2
- ⑯ SELF-DRILLING SCREW Ø4.8x16 mm, A2
- ⑰ RIVET Ø4.8x18 mm, HEAD 16 mm, PAINTED
- ⑱ STUD WALL
- ⑲ WINDOW SYSTEM
- ⑳ METAL TRIM / FLASHING / COPING
- ㉑ PERFORATED ALUMINUM SHEET

1.1 PLAN DETAIL

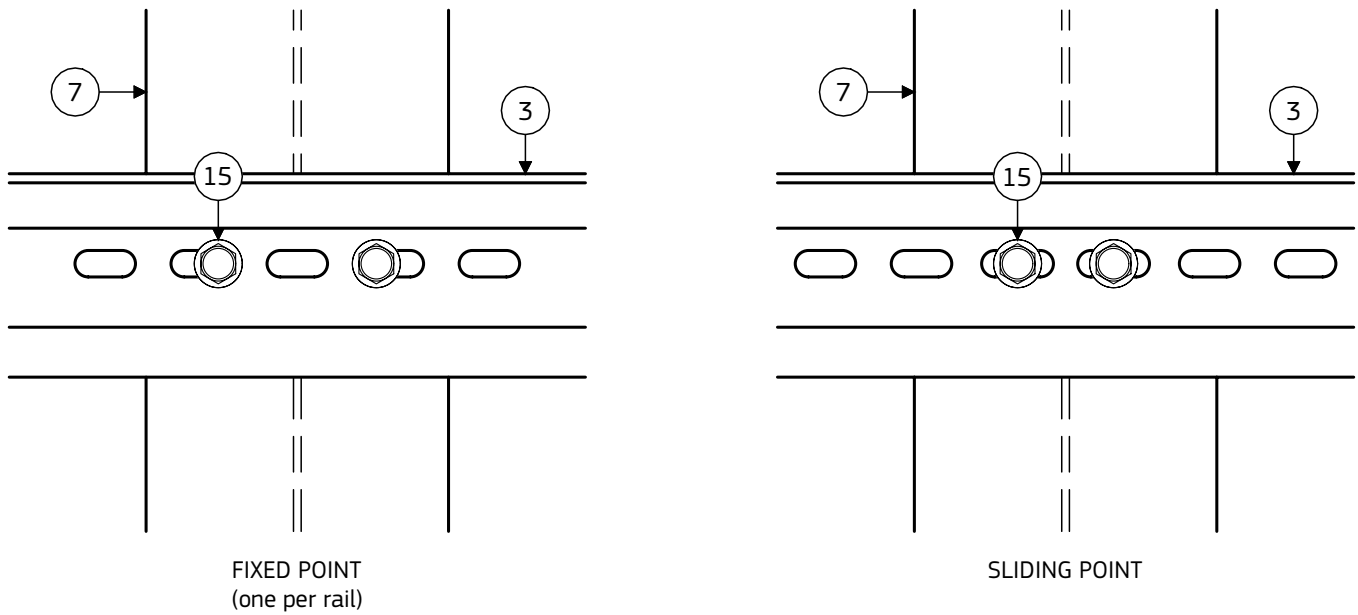


HORIZONTAL RAILS' JOINT



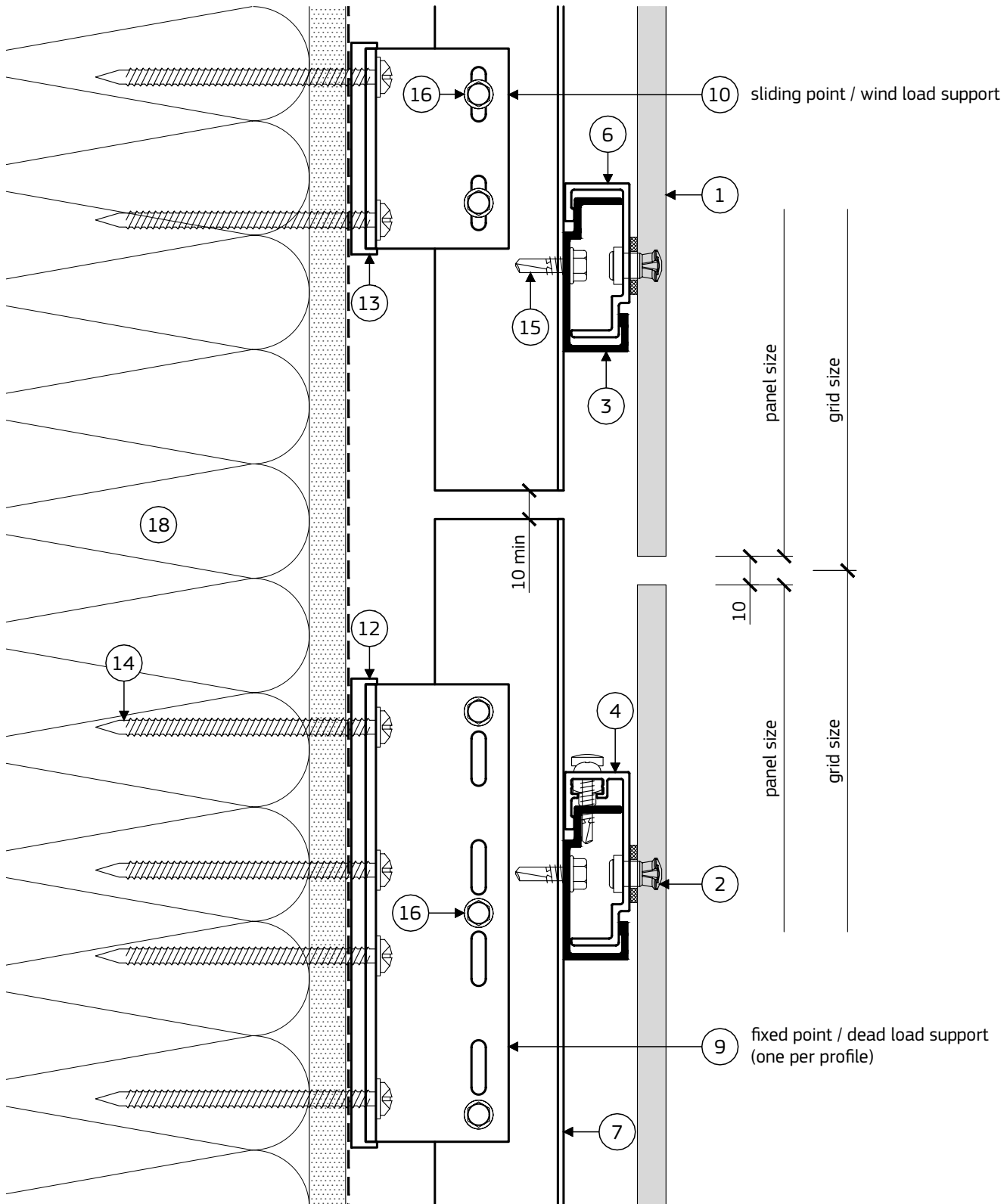
10 min

INSTALLATION DIAGRAM



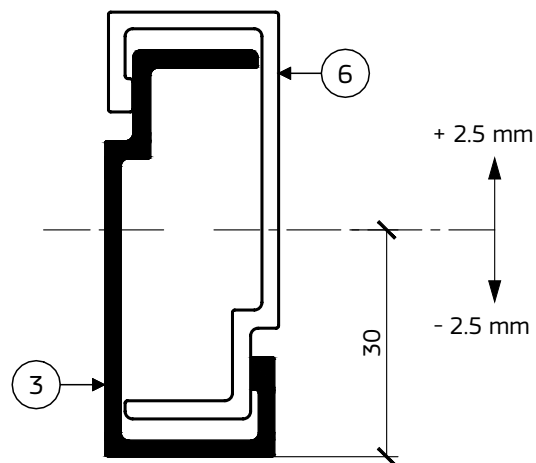
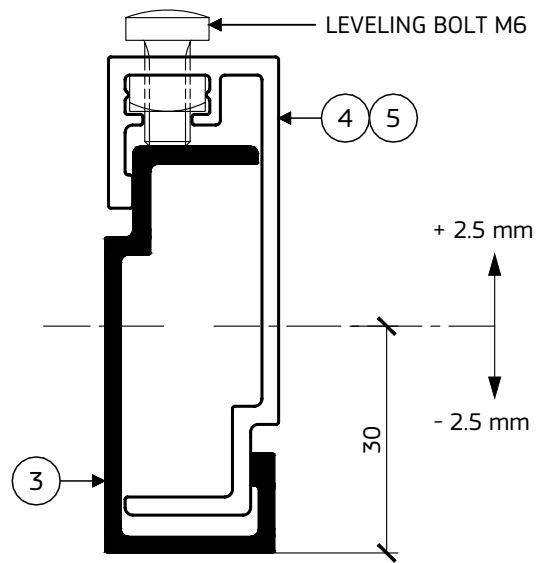
The rails should be fixed at mid-length (fixed point) and allowed to expand toward the ends using slotted holes (sliding points), considering the fastener to fall at the center of the hole.

2.1 SECTION DETAIL

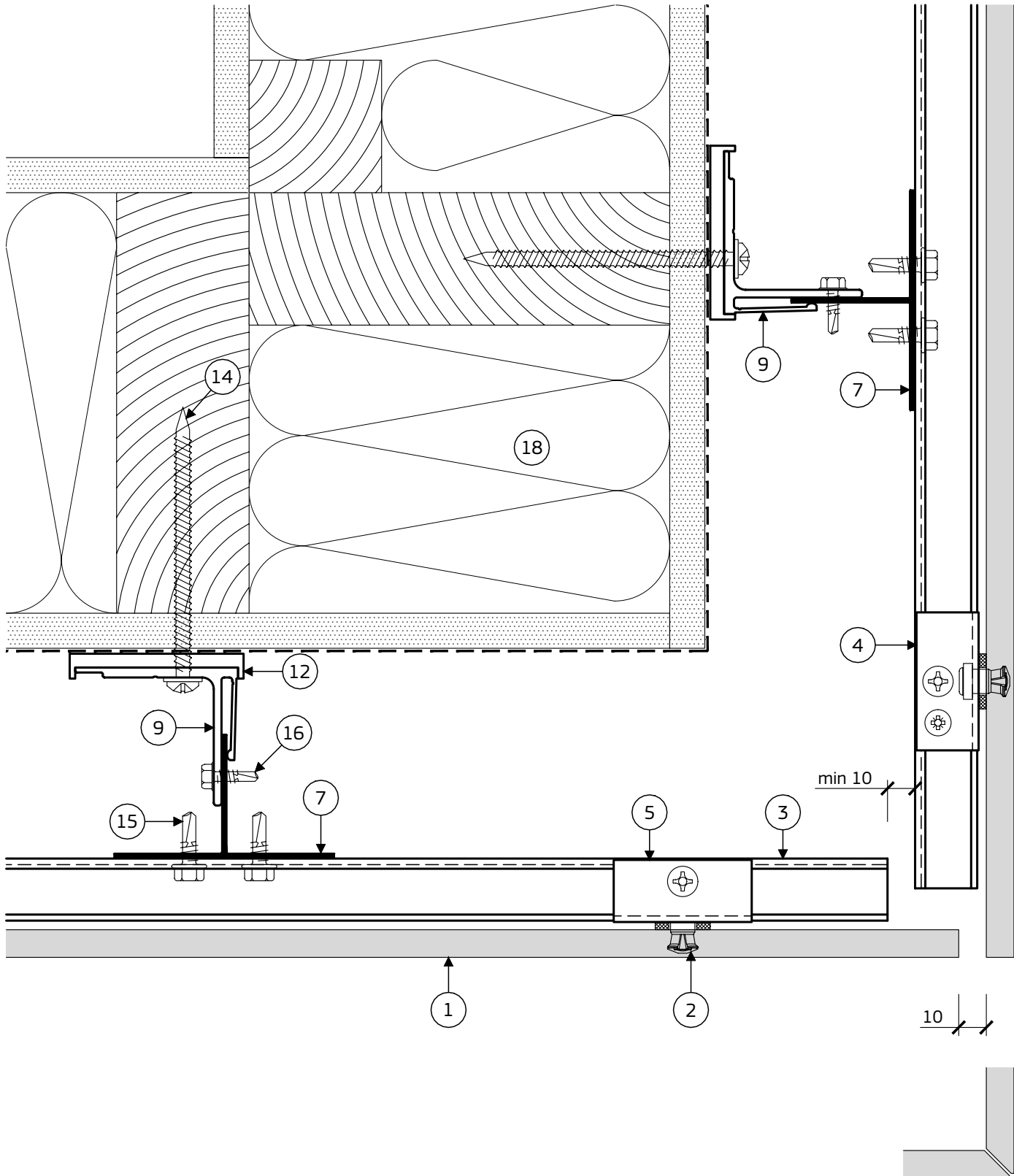


The profiles should be fixed using normal clearance holes (fixed point) and allowed to expand using slotted holes (sliding points), considering the fastener to fall at the center of the hole.

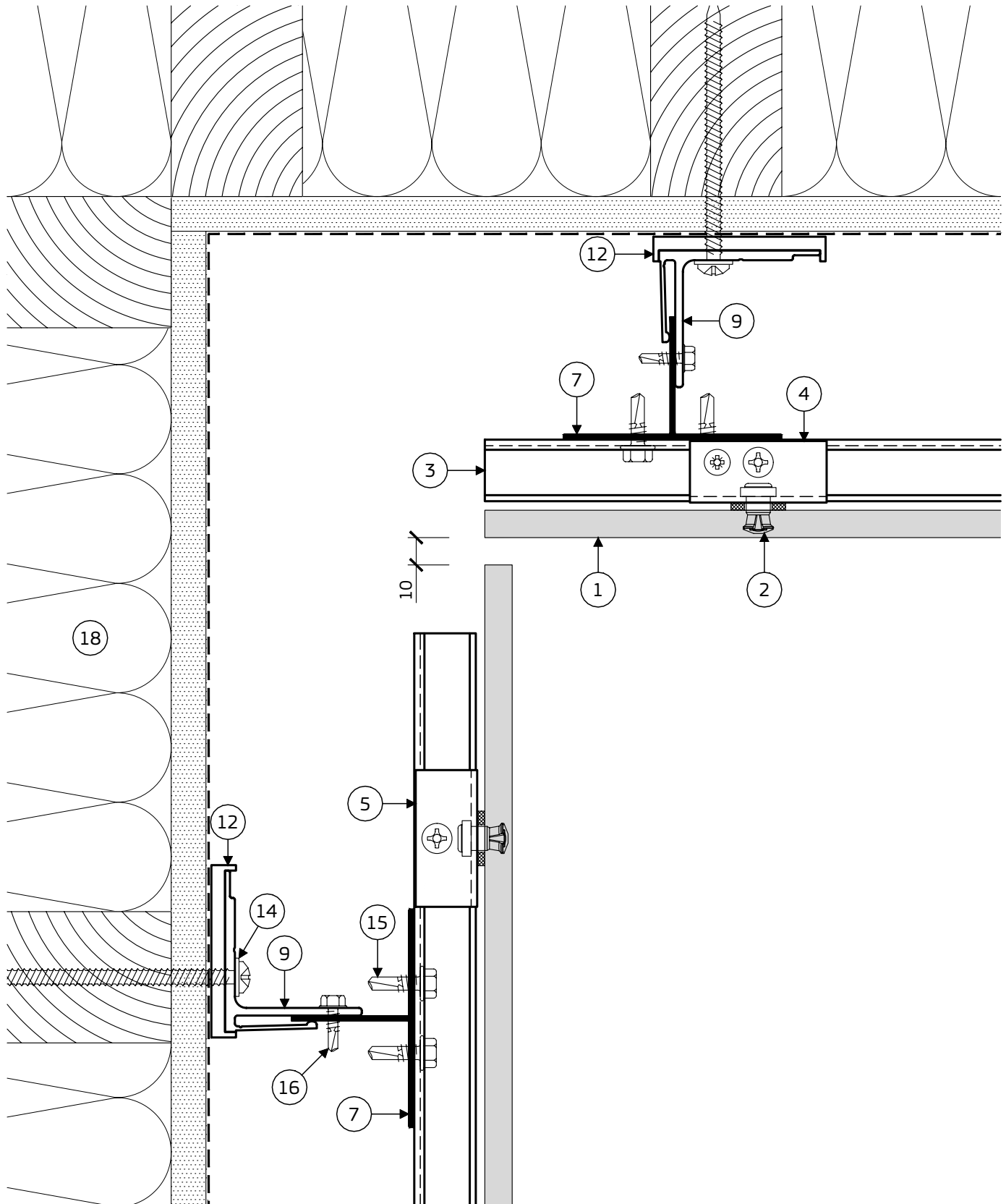
INSTALLATION DIAGRAM



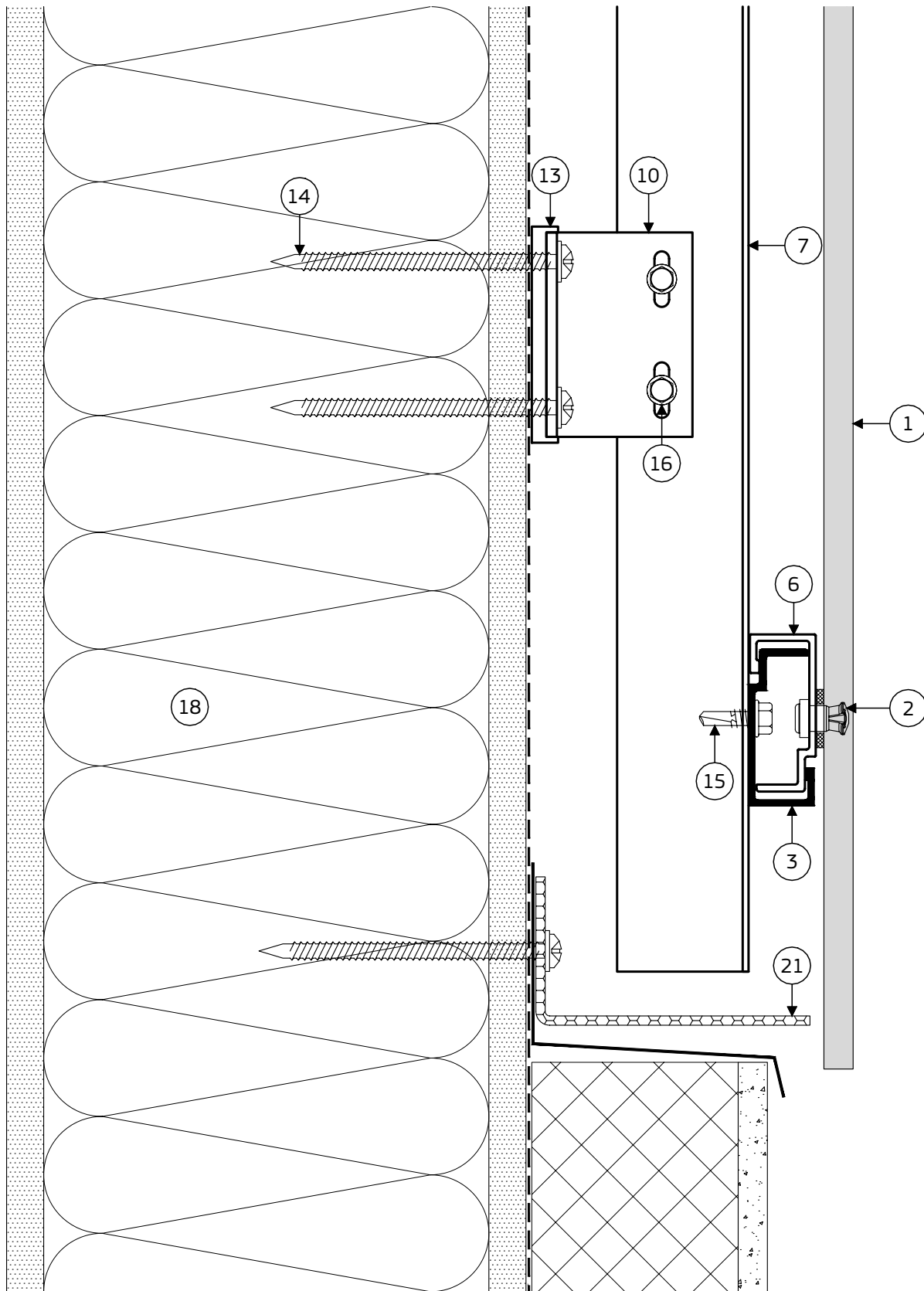
3.1 PLAN DETAIL - OUTSIDE CORNER



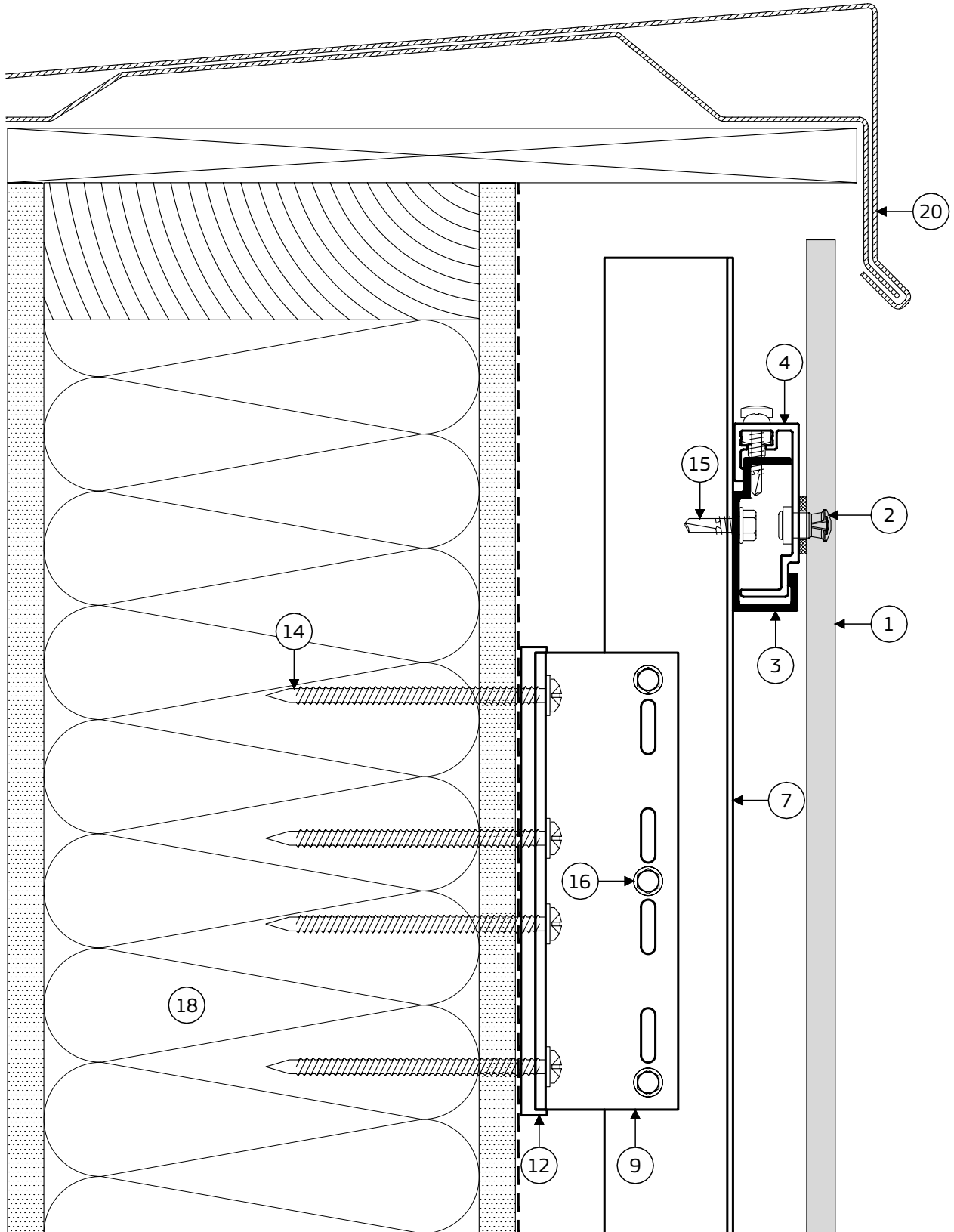
4.1 PLAN DETAIL - INSIDE CORNER



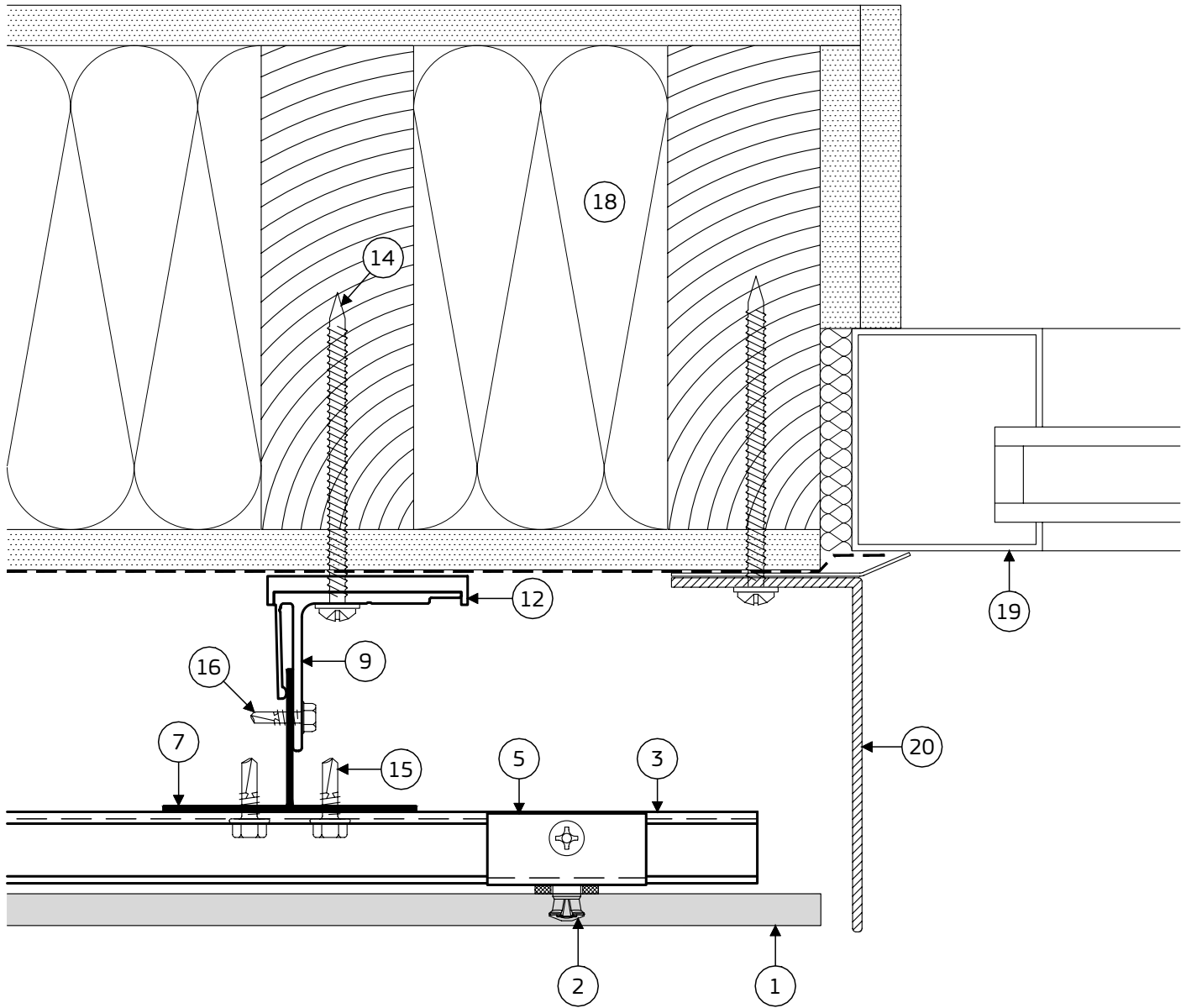
5.1 SECTION DETAIL - BASE



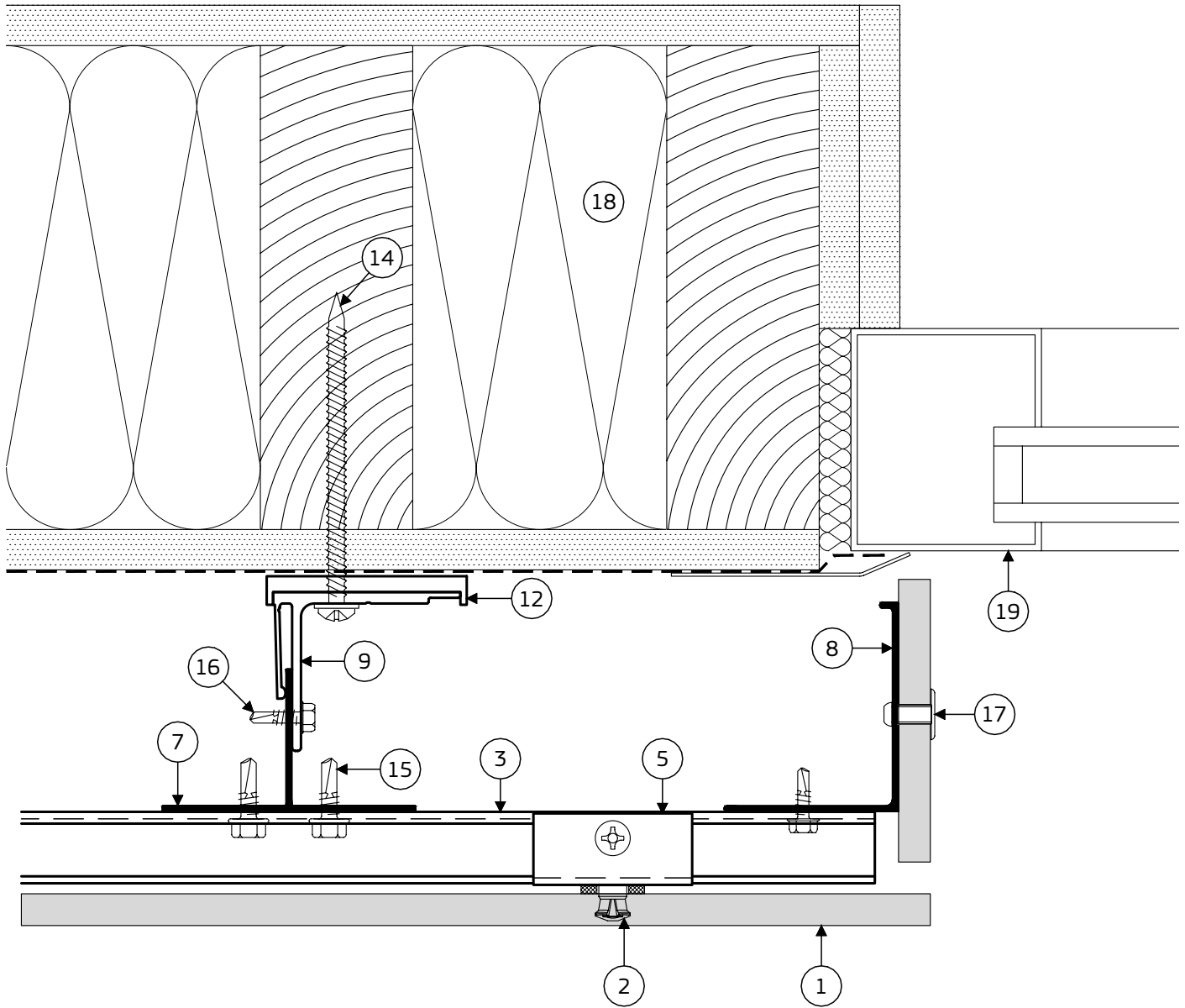
6.1 SECTION DETAIL - PARAPET



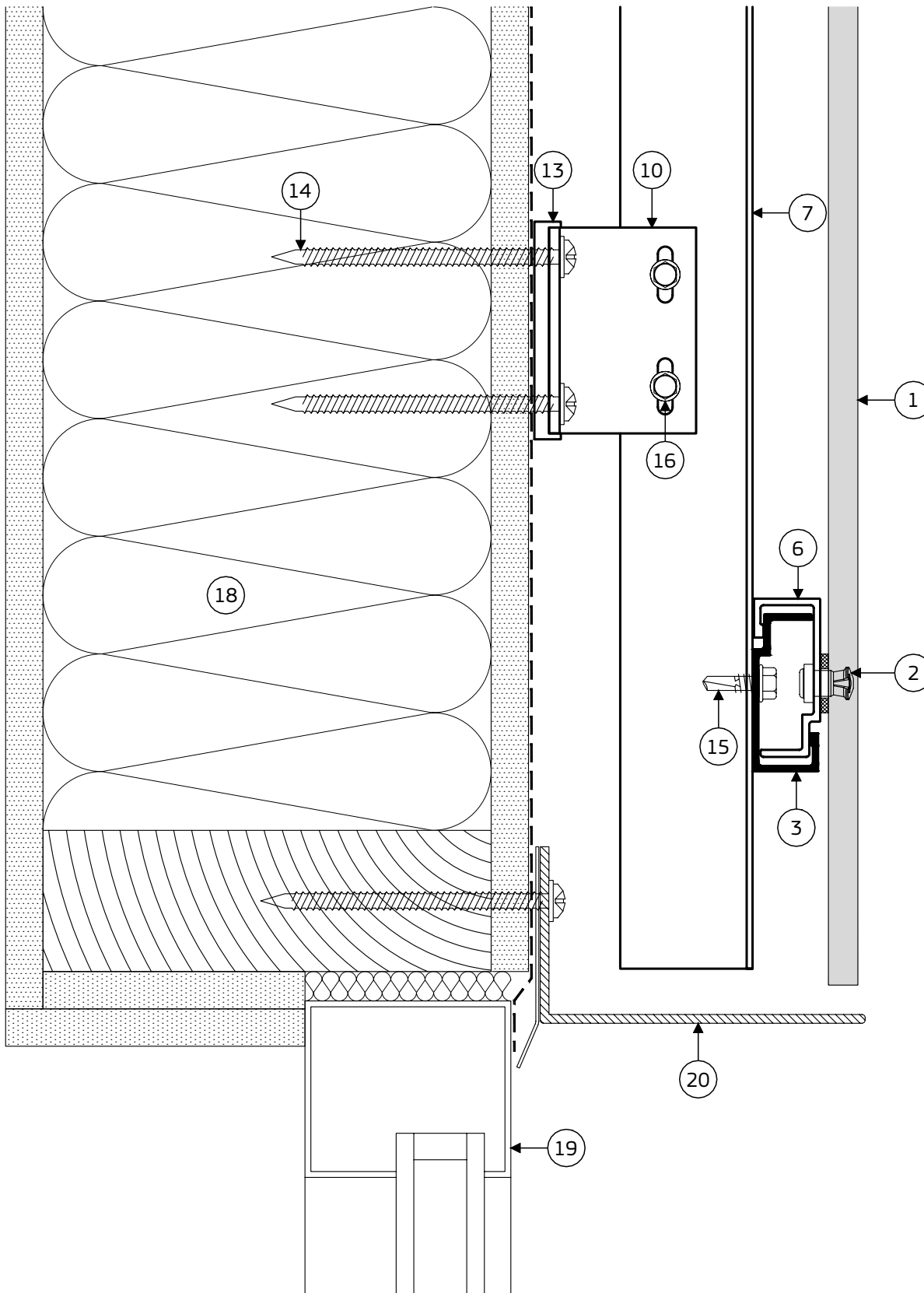
7.1 PLAN DETAIL - WINDOW JAMB



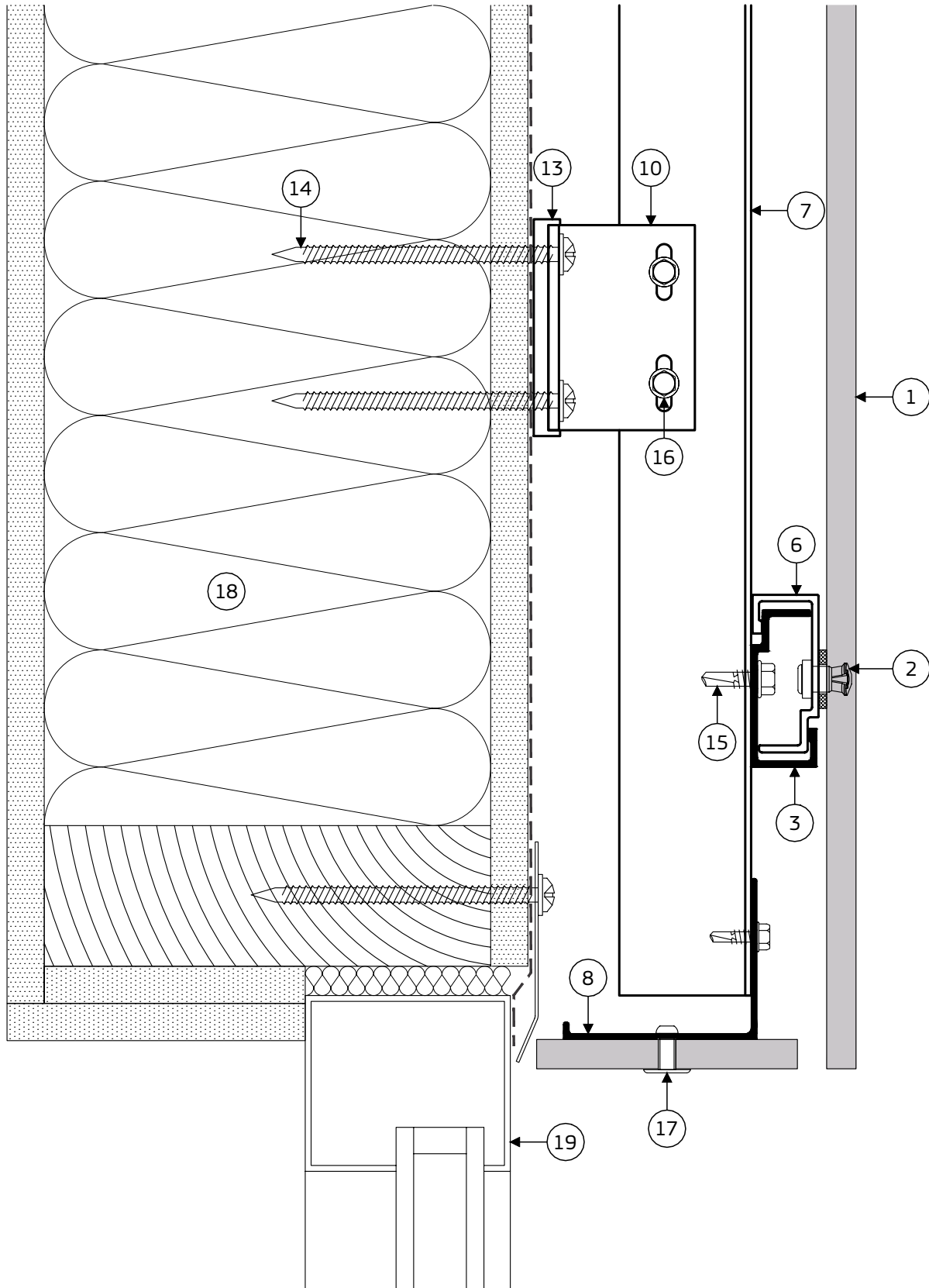
7.2 PLAN DETAIL - WINDOW JAMB



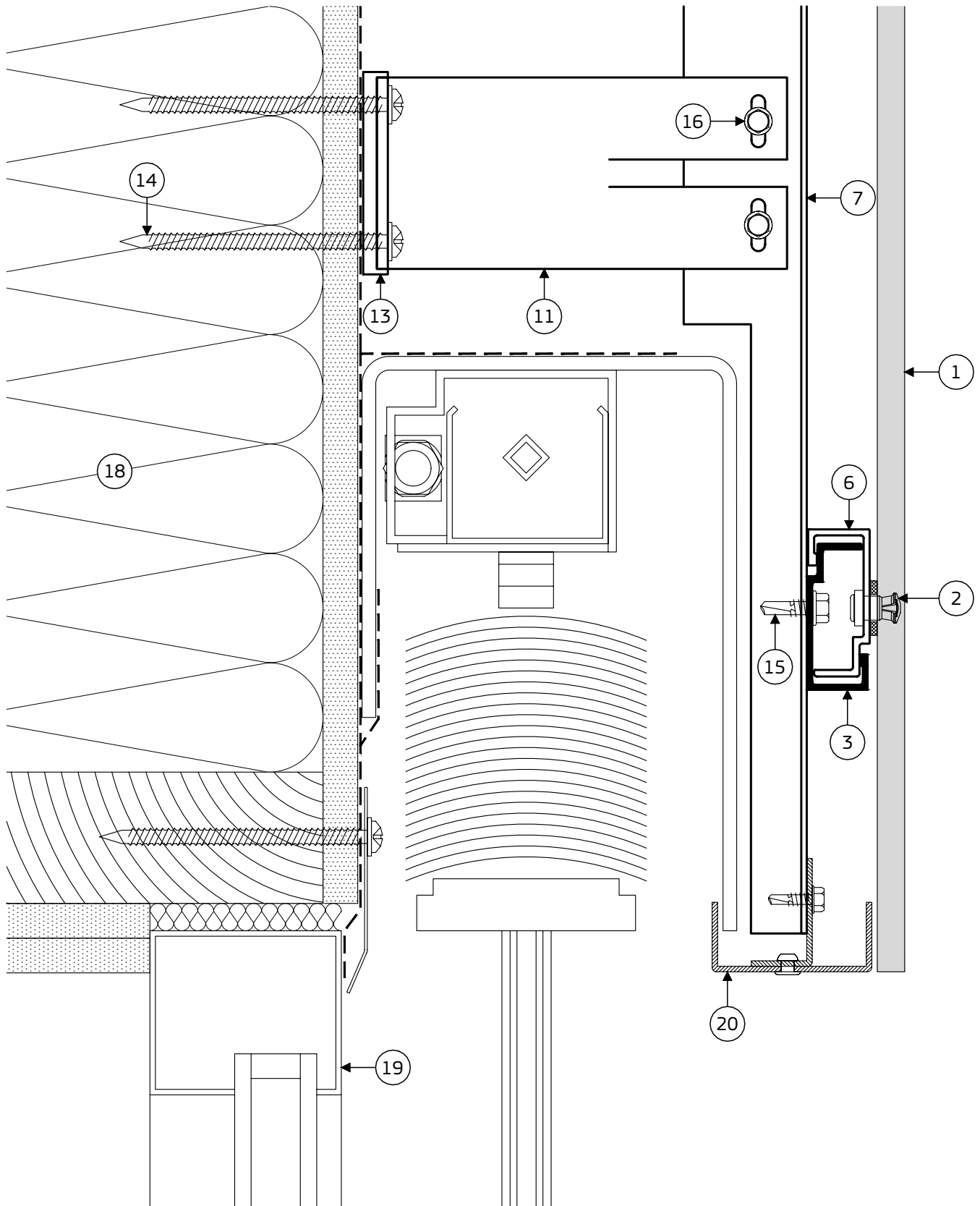
8.1 SECTION DETAIL - WINDOW HEAD



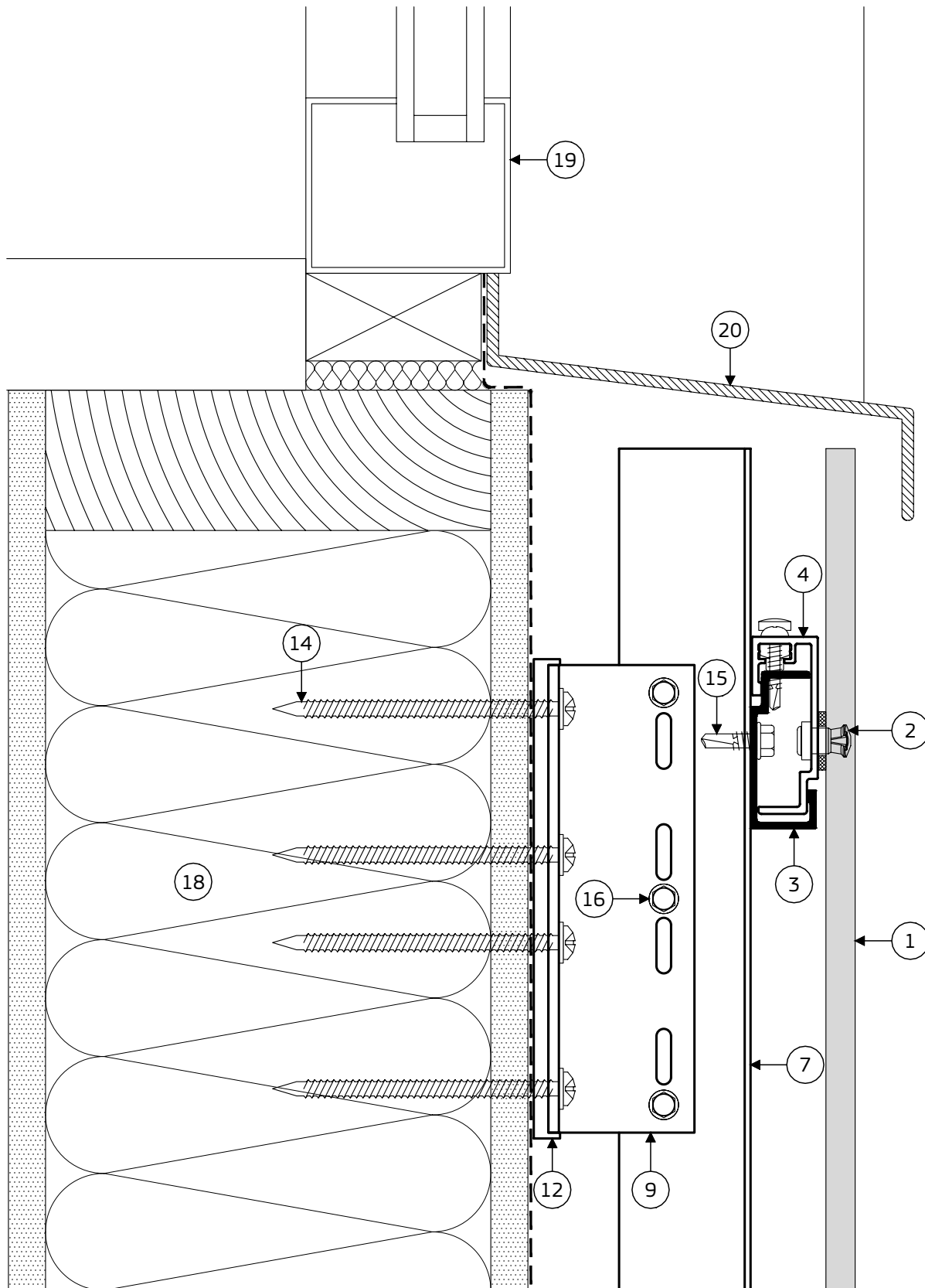
8.2 SECTION DETAIL - WINDOW HEAD



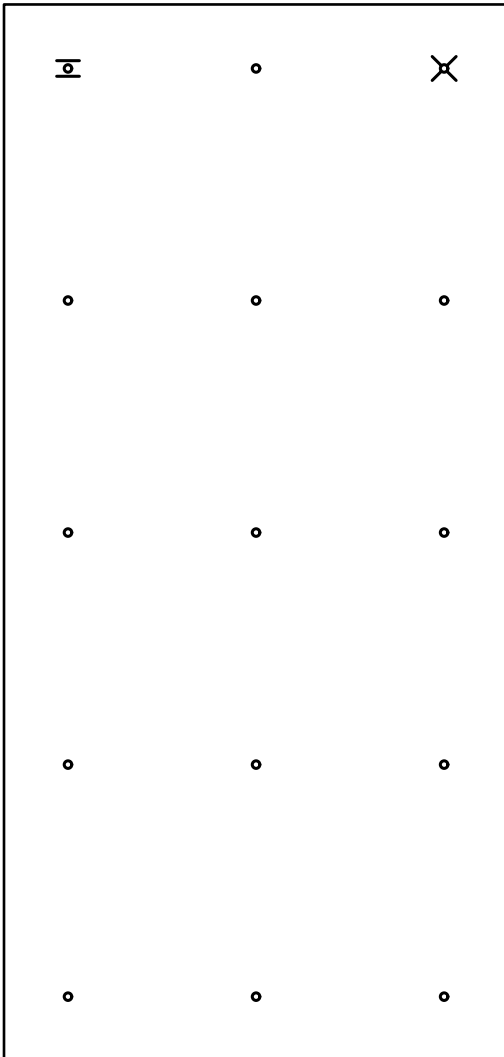
8.3 SECTION DETAIL - WINDOW HEAD



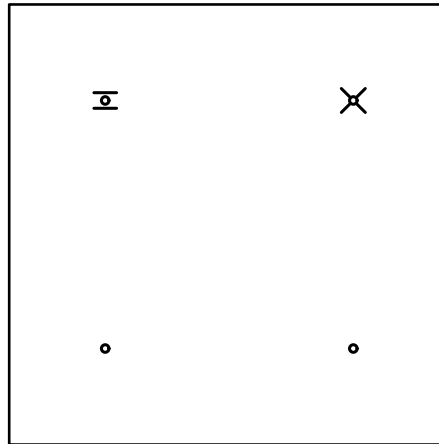
9.1 SECTION DETAIL - WINDOW SILL



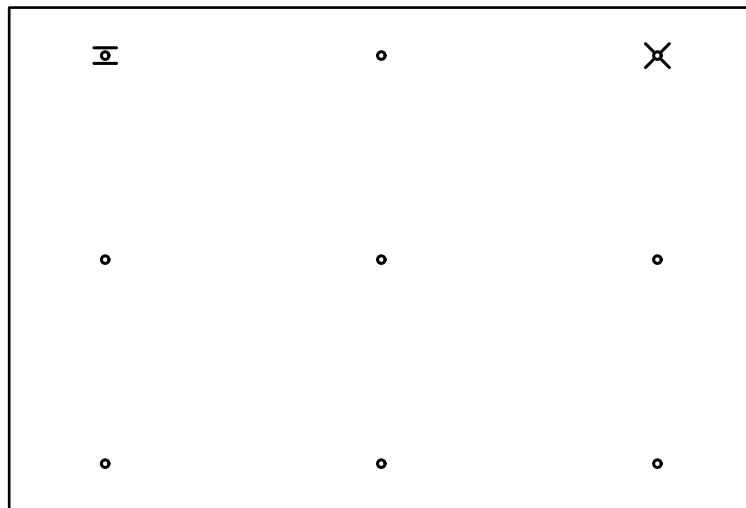
INSTALLATION DIAGRAMS



MULTI-SPAN PANEL



SINGLE-SPAN PANEL

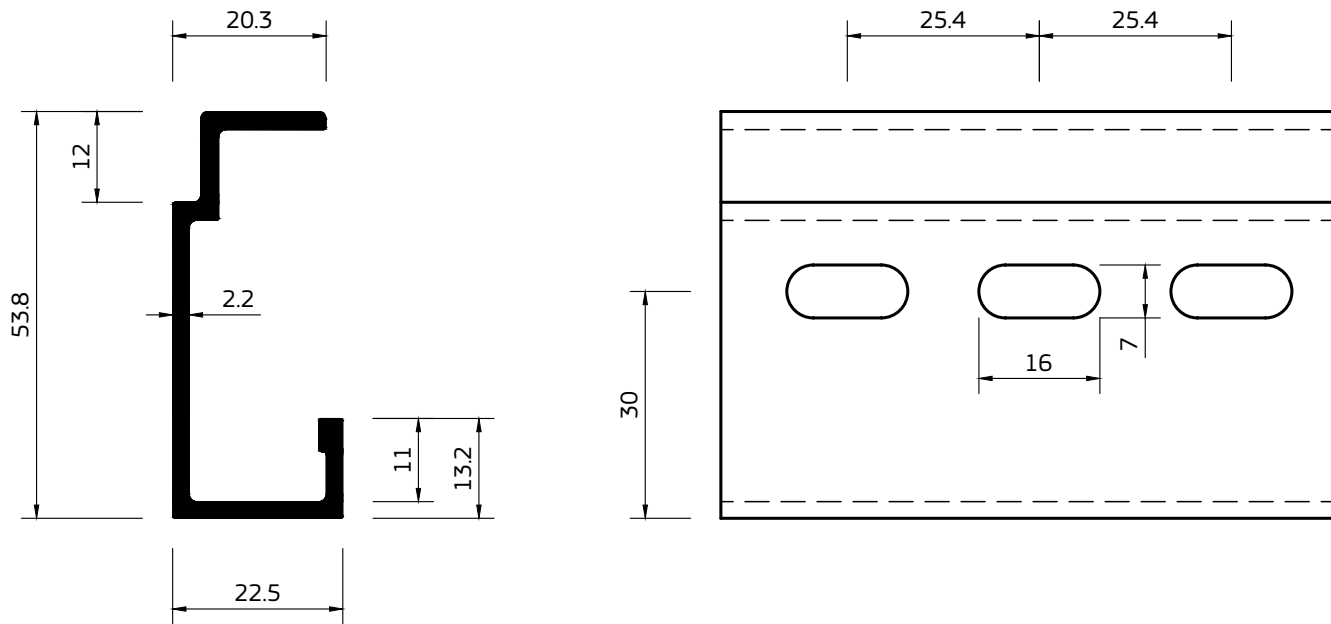


MULTI-SPAN PANEL

- ✕ Adjustable hanger fixed point (dead load support), one per panel
- ◌ Adjustable hanger sliding point (dead load support), one per panel
- ◌ Hanger sliding point (wind load support)

The diagrams are schematic.
Refer to panel manufacturer's technical data and installation instructions for the exact diagram.

SYSTEM COMPONENTS



Material: AW 6063 T66

Article No	Description	Hole size	Finish	Weight
06.2.xxx	Horizontal rail		unpainted	643 g/m
06.2.631.xxx	Horizontal rail, slotted holes (6.3)	7x16 mm		

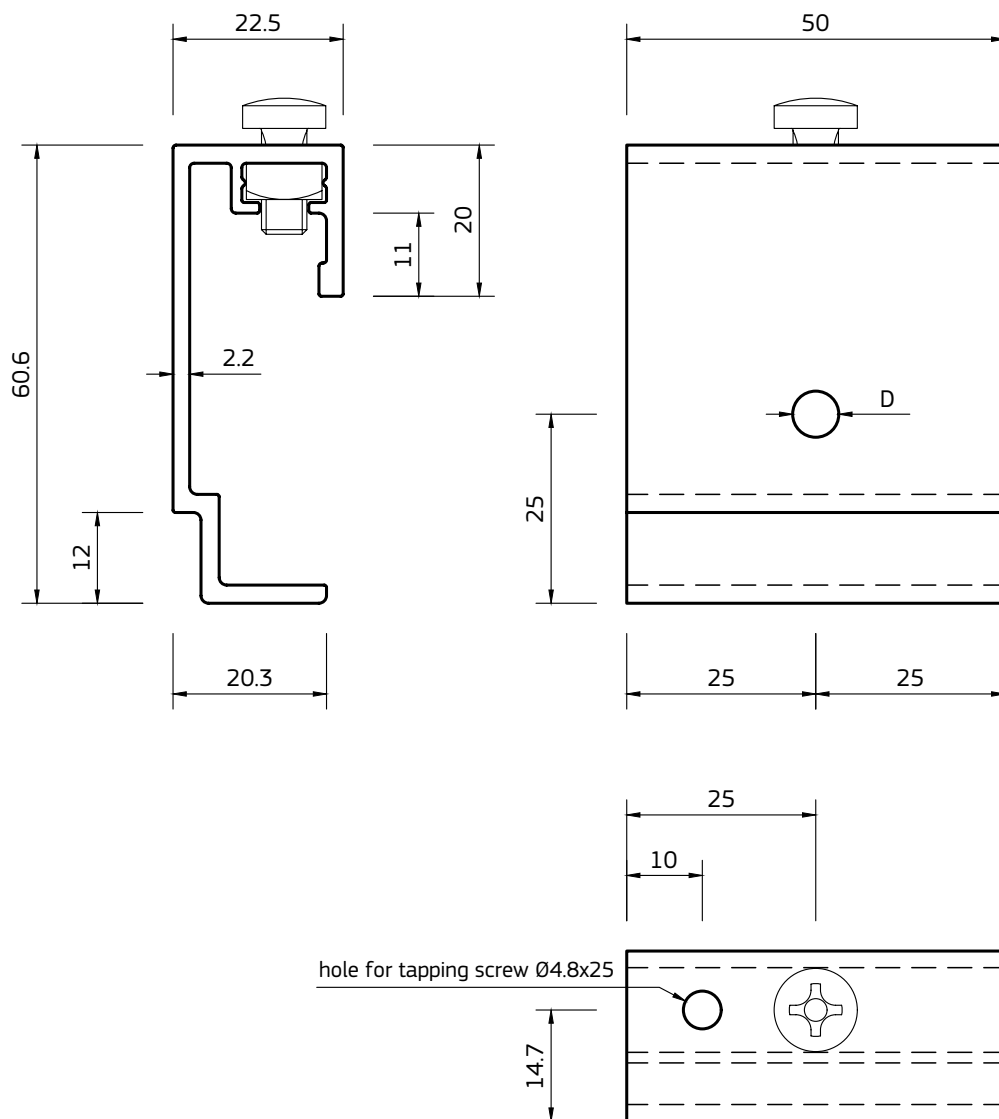
xxx - rail length

Standard length 6000 mm.

Other size slotted holes on request.

Painted rails or anodized finishes on request.

SYSTEM COMPONENTS



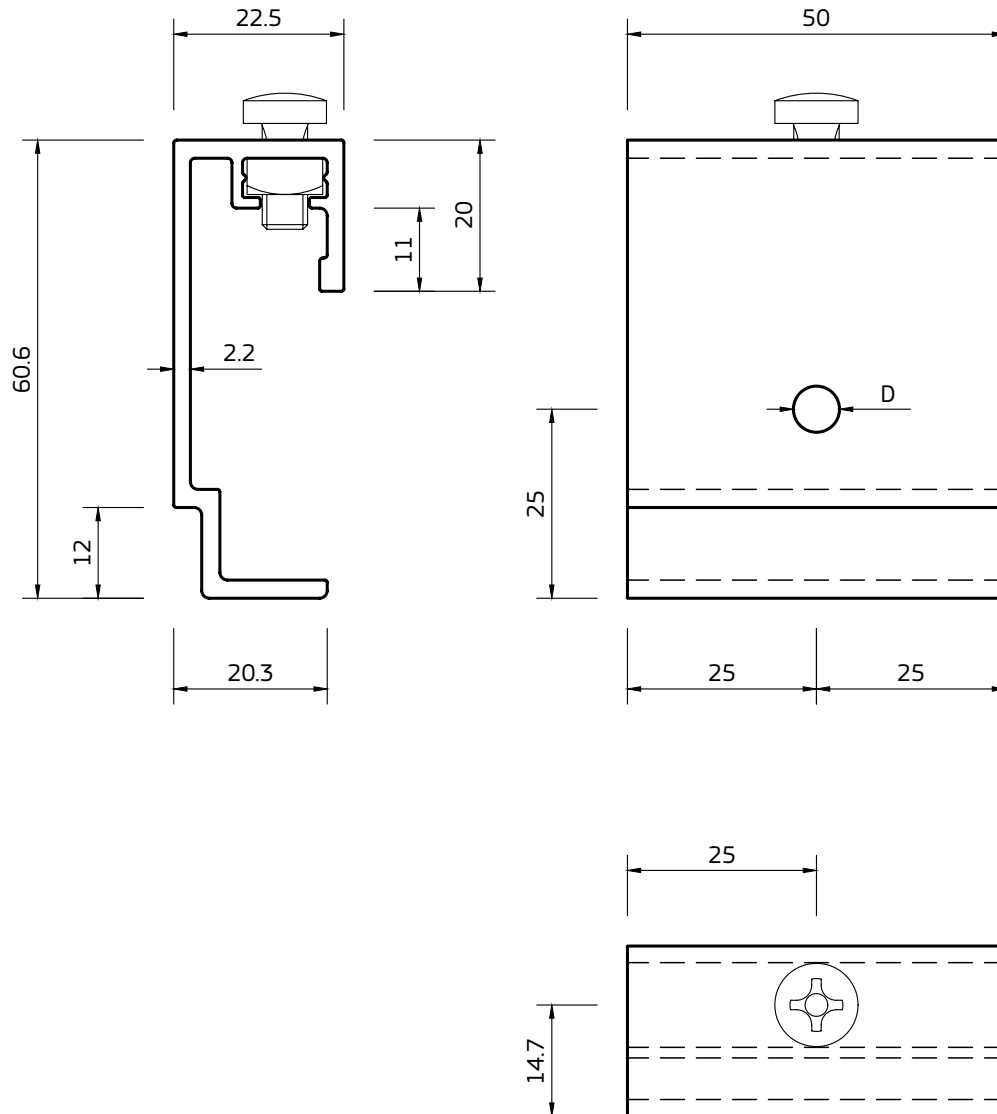
Material: AW 6063 T66

Article No	Description	Hole size D	Finish	Weight
06.201.5.50	Adjustable hanger fixed point, hole Ø5, set	Ø5.1	unpainted	39 g/pcs
06.201.6.50	Adjustable hanger fixed point, hole Ø6, set	Ø6.1		
06.201.8.50	Adjustable hanger fixed point, hole Ø8, set	Ø8.1		

Non-standard hangers on request.

The hanger set includes M6 bolt & nut and self-drilling screw Ø4.8x25. All fasteners are A2 stainless steel.

SYSTEM COMPONENTS



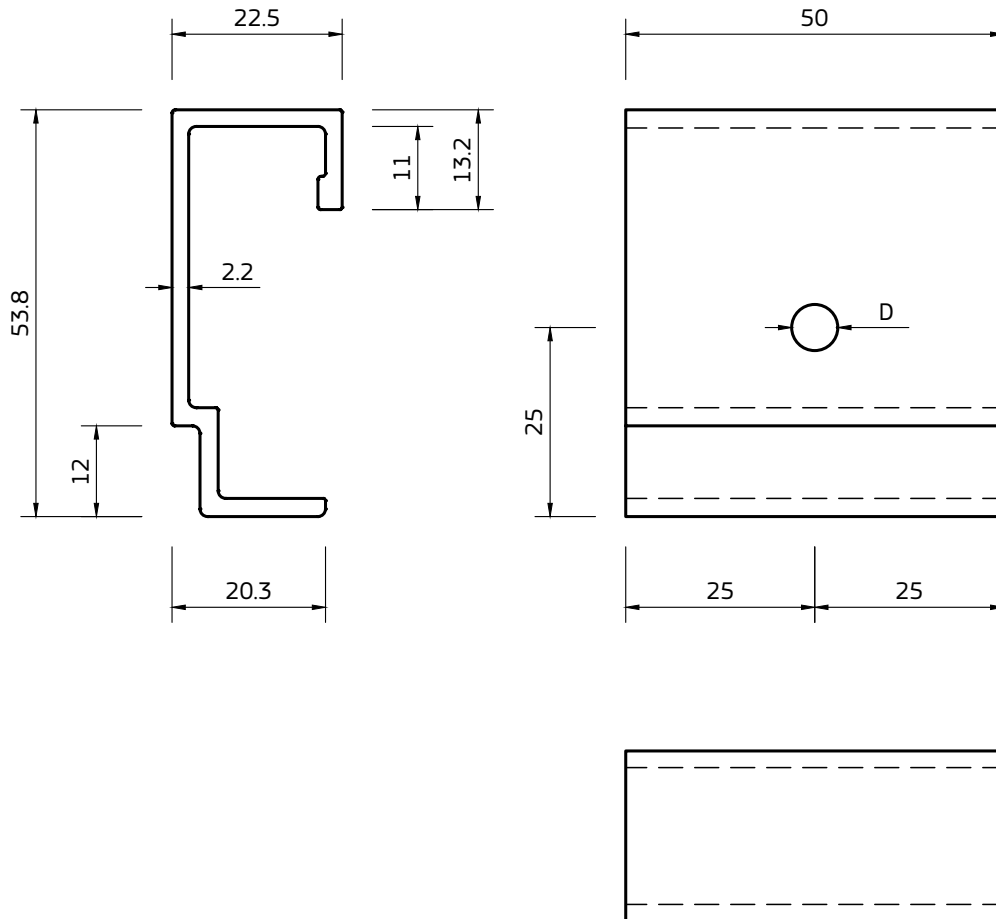
Material: AW 6063 T66

Article No	Description	Hole size D	Finish	Weight
06.202.5.50	Adjustable hanger sliding point, hole Ø5, set	Ø5.1	unpainted	39 g/pcs
06.202.6.50	Adjustable hanger sliding point, hole Ø6, set	Ø6.1		
06.202.8.50	Adjustable hanger sliding point, hole Ø8, set	Ø8.1		

Non-standard hangers on request.

The hanger set includes M6 bolt & nut. All fasteners are A2 stainless steel.

SYSTEM COMPONENTS

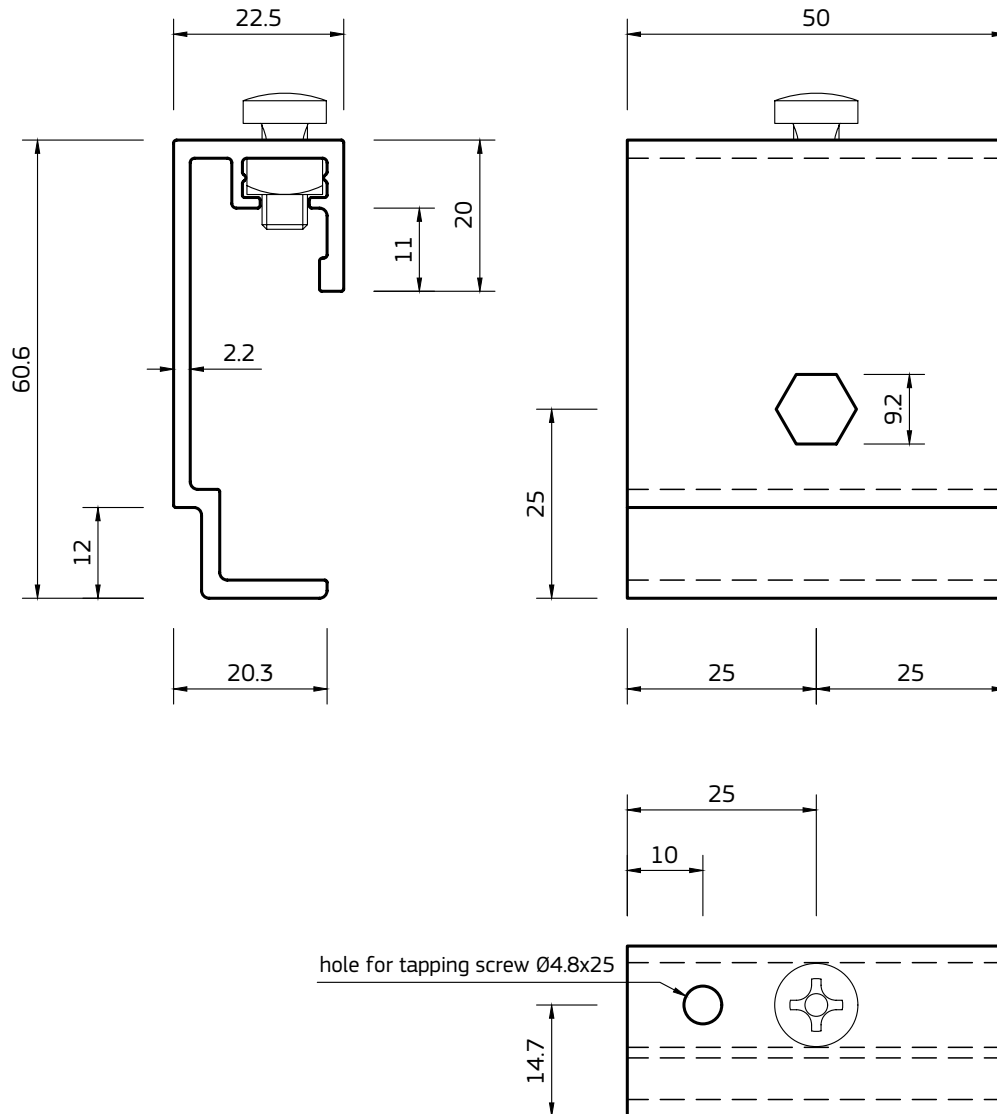


Material: AW 6063 T66

Article No	Description	Hole size D	Finish	Weight
06.203.5.50	Hanger sliding point, hole Ø5	Ø5.1	unpainted	32 g/pcs
06.203.6.50	Hanger sliding point, hole Ø6	Ø6.1		
06.203.8.50	Hanger sliding point, hole Ø8	Ø8.1		

Non-standard hangers on request.

SYSTEM COMPONENTS



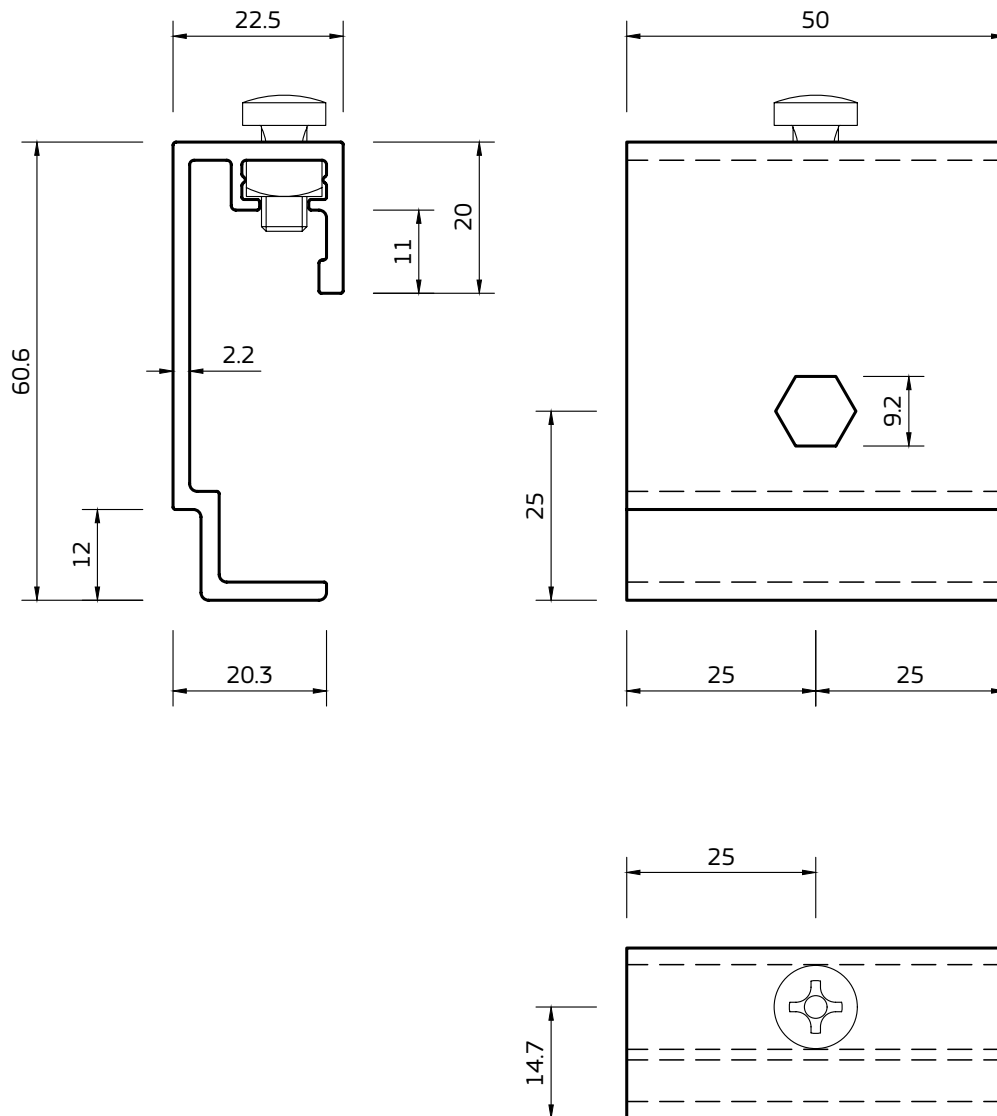
Material: AW 6063 T66

Article No	Description	Hole size	Finish	Weight
06.201.9.50	Adjustable hanger fixed point, hex hole, set	hex hole SW9	unpainted	39 g/pcs

Non-standard hangers on request.

The hanger set includes M6 bolt & nut and self-drilling screw Ø4.8x25. All fasteners are A2 stainless steel.

SYSTEM COMPONENTS



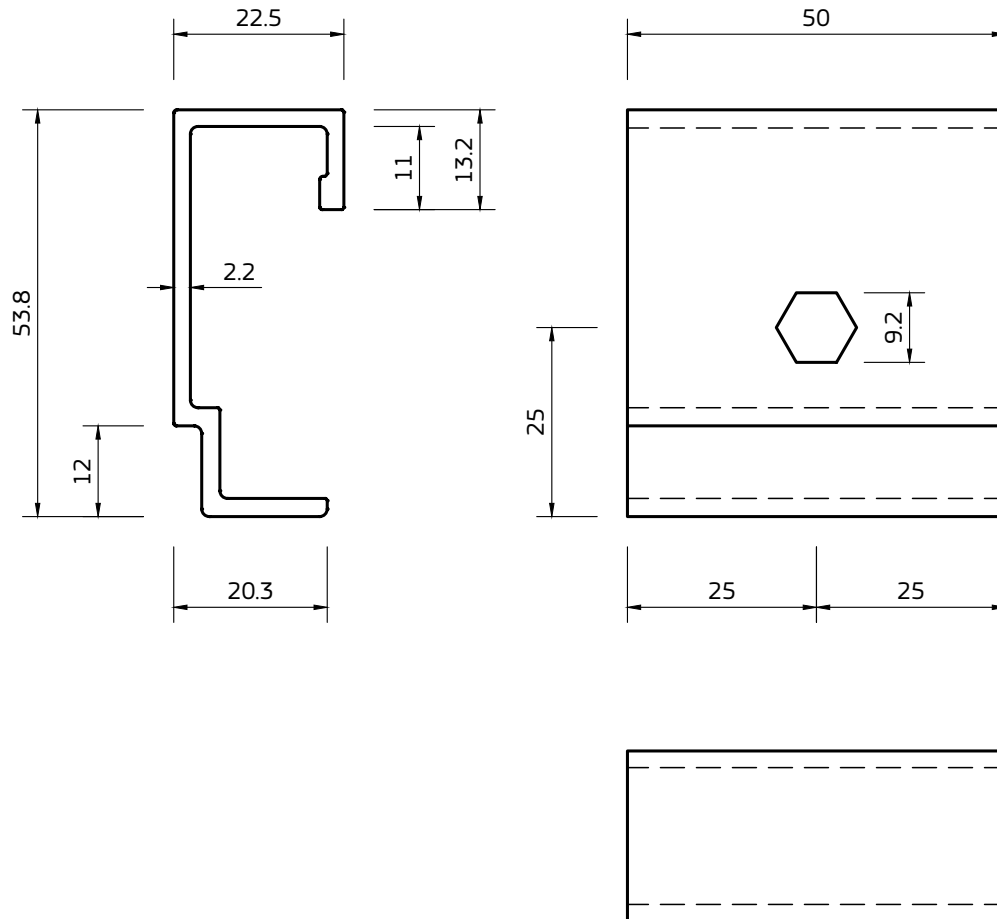
Material: AW 6063 T66

Article No	Description	Hole size	Finish	Weight
06.202.9.50	Adjustable hanger sliding point, hex hole, set	hex hole SW9	unpainted	39 g/pcs

Non-standard hangers on request.

The hanger set includes M6 bolt & nut. All fasteners are A2 stainless steel.

SYSTEM COMPONENTS

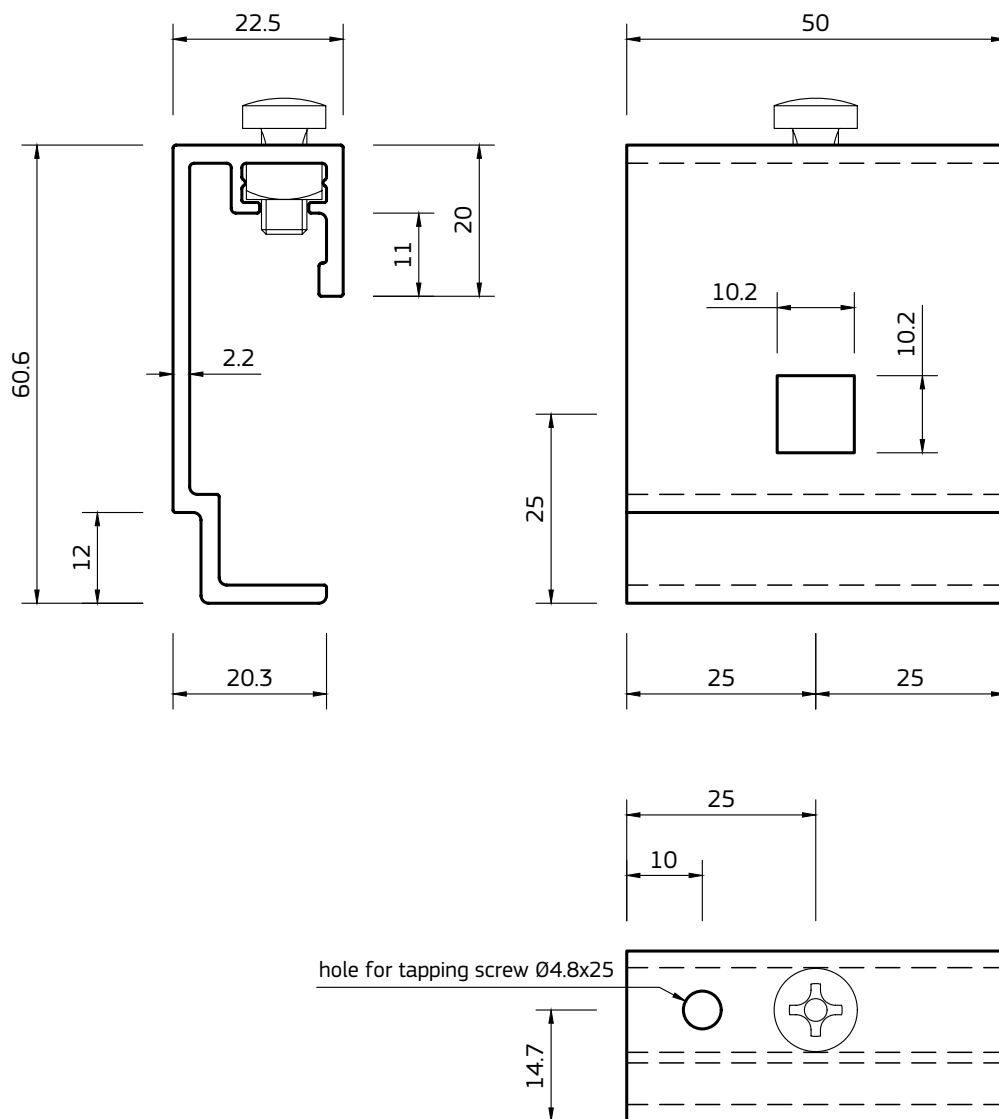


Material: AW 6063 T66

Article No	Description	Hole size	Finish	Weight
06.203.9.50	Hanger sliding point, hex hole	hex hole SW9	unpainted	32 g/pcs

Non-standard hangers on request.

SYSTEM COMPONENTS



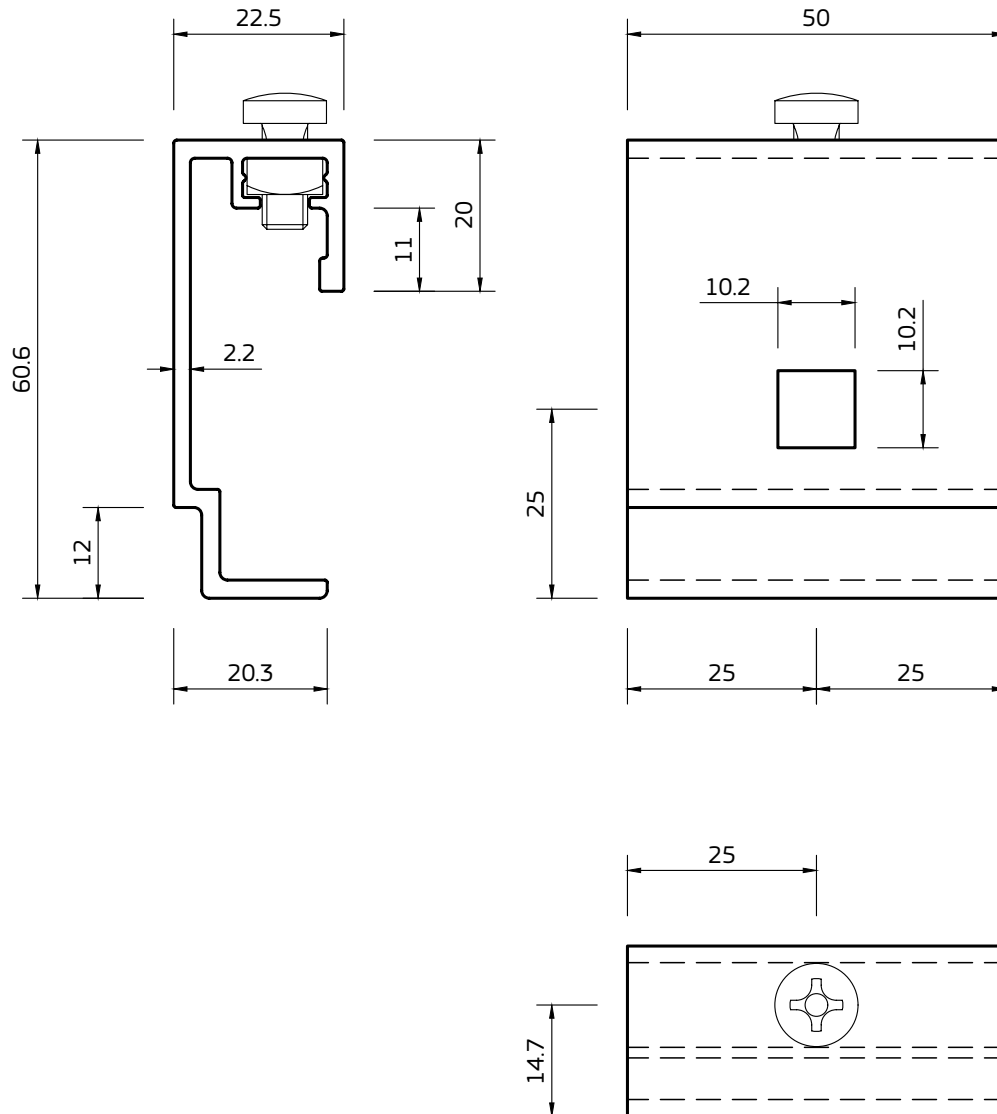
Material: AW 6063 T66

Article No	Description	Hole size	Finish	Weight
06.201.10.50	Adjustable hanger fixed point, square hole, set	square hole 10.2	unpainted	39 g/pcs

Non-standard hangers on request.

The hanger set includes M6 bolt & nut and self-drilling screw $\varnothing 4.8 \times 25$. All fasteners are A2 stainless steel.

SYSTEM COMPONENTS



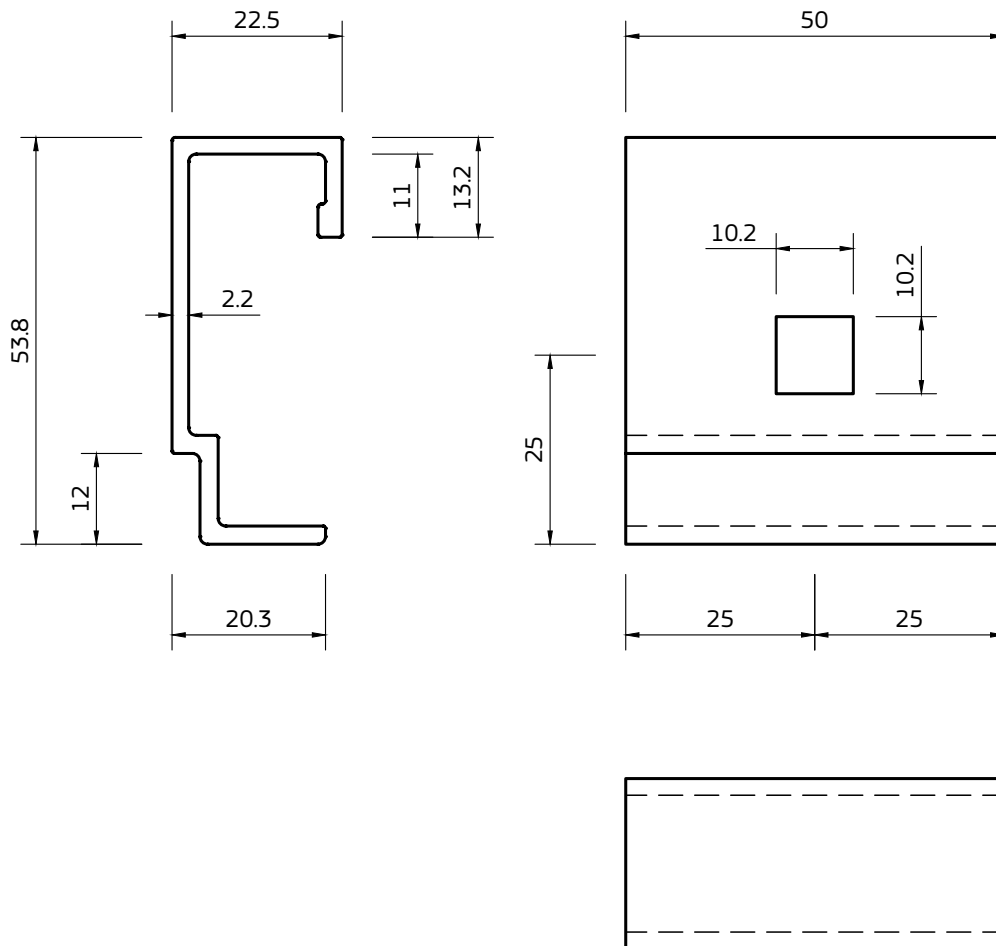
Material: AW 6063 T66

Article No	Description	Hole size	Finish	Weight
06.202.10.50	Adjustable hanger sliding point, square hole, set	square hole 10.2	unpainted	39 g/pcs

Non-standard hangers on request.

The hanger set includes M6 bolt & nut. All fasteners are A2 stainless steel.

SYSTEM COMPONENTS

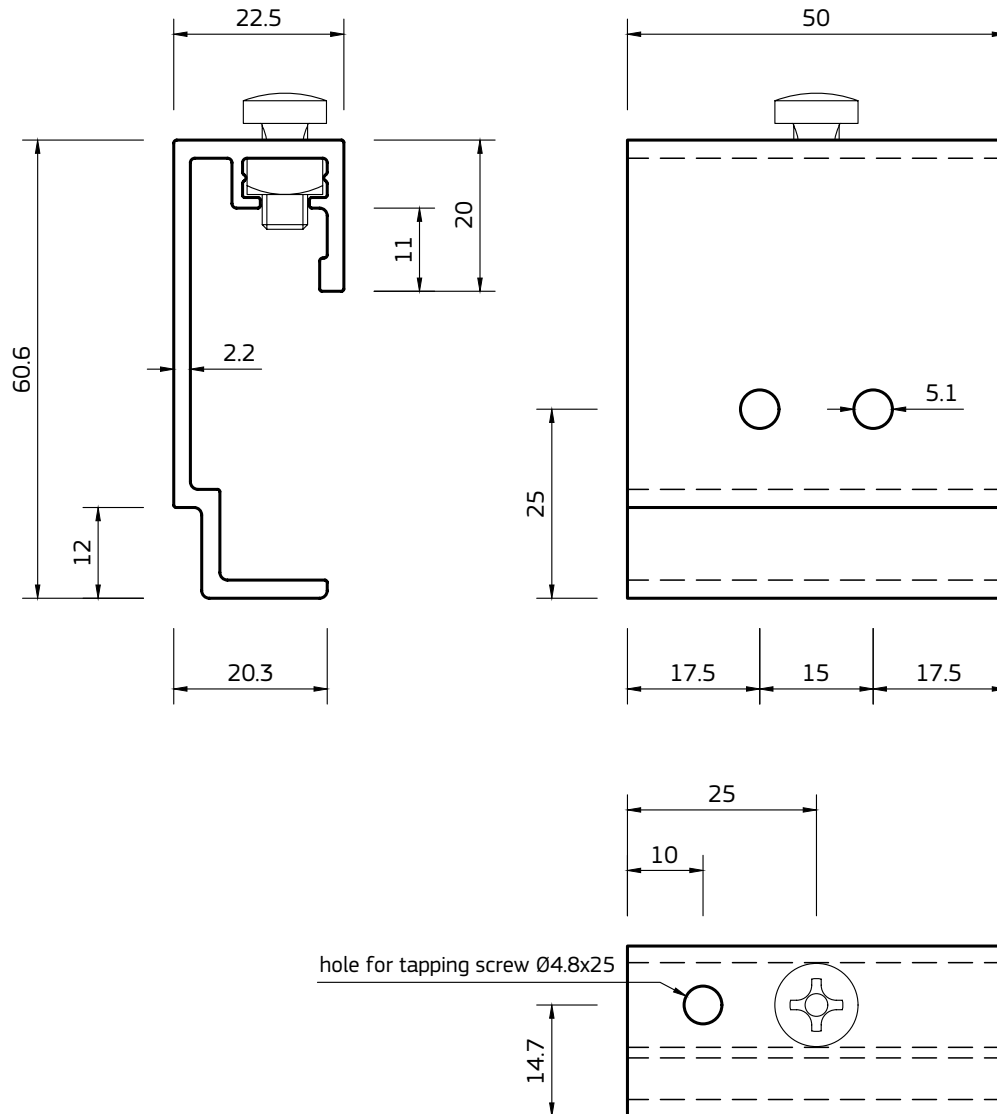


Material: AW 6063 T66

Article No	Description	Hole size	Finish	Weight
06.203.10.50	Hanger sliding point, square hole	square hole 10.2	unpainted	32 g/pcs

Non-standard hangers on request.

SYSTEM COMPONENTS



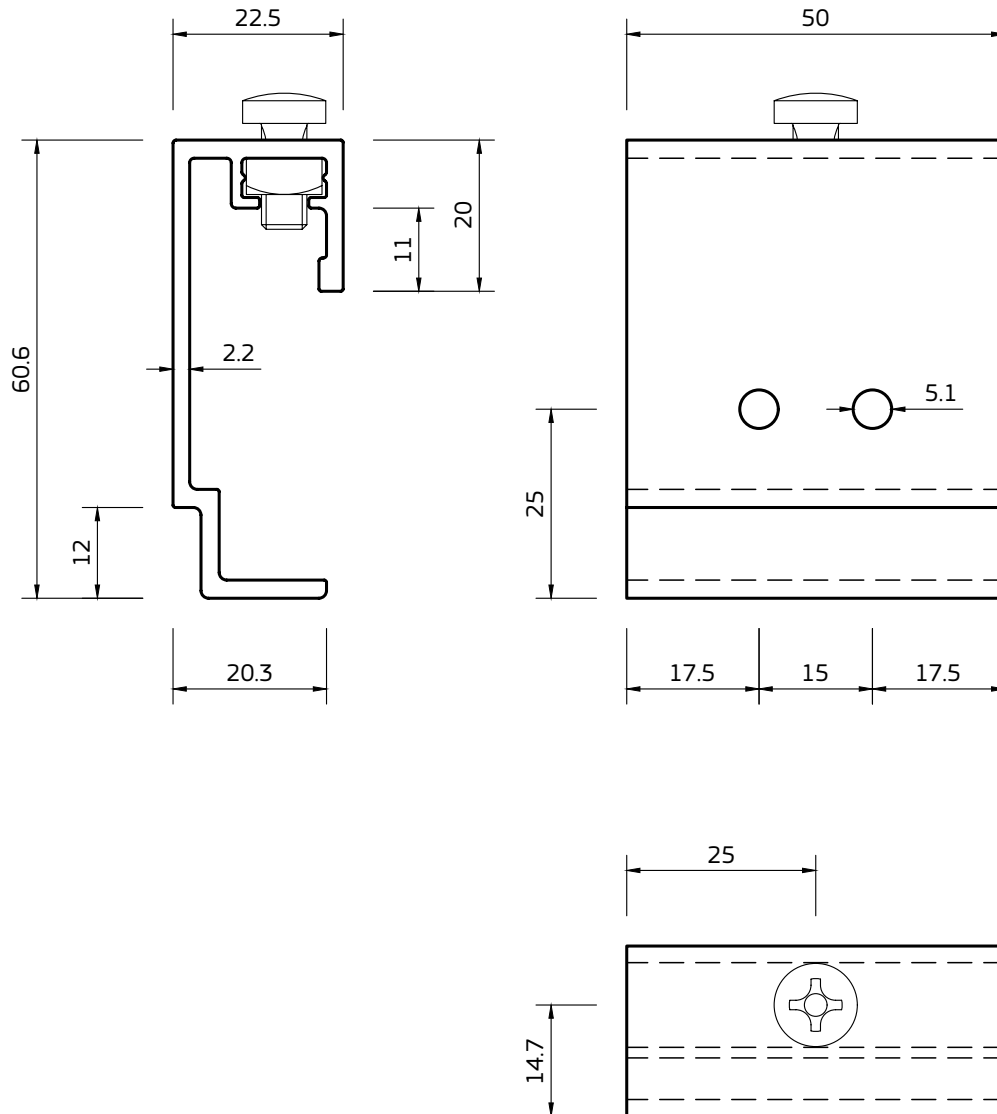
Material: AW 6063 T66

Article No	Description	Hole size	Finish	Weight
06.201.52.50	Adjustable hanger fixed point, holes Ø5, set	Ø5.1	unpainted	39 g/pcs

Non-standard hangers on request.

The hanger set includes M6 bolt & nut and self-drilling screw Ø4.8x25. All fasteners are A2 stainless steel.

SYSTEM COMPONENTS



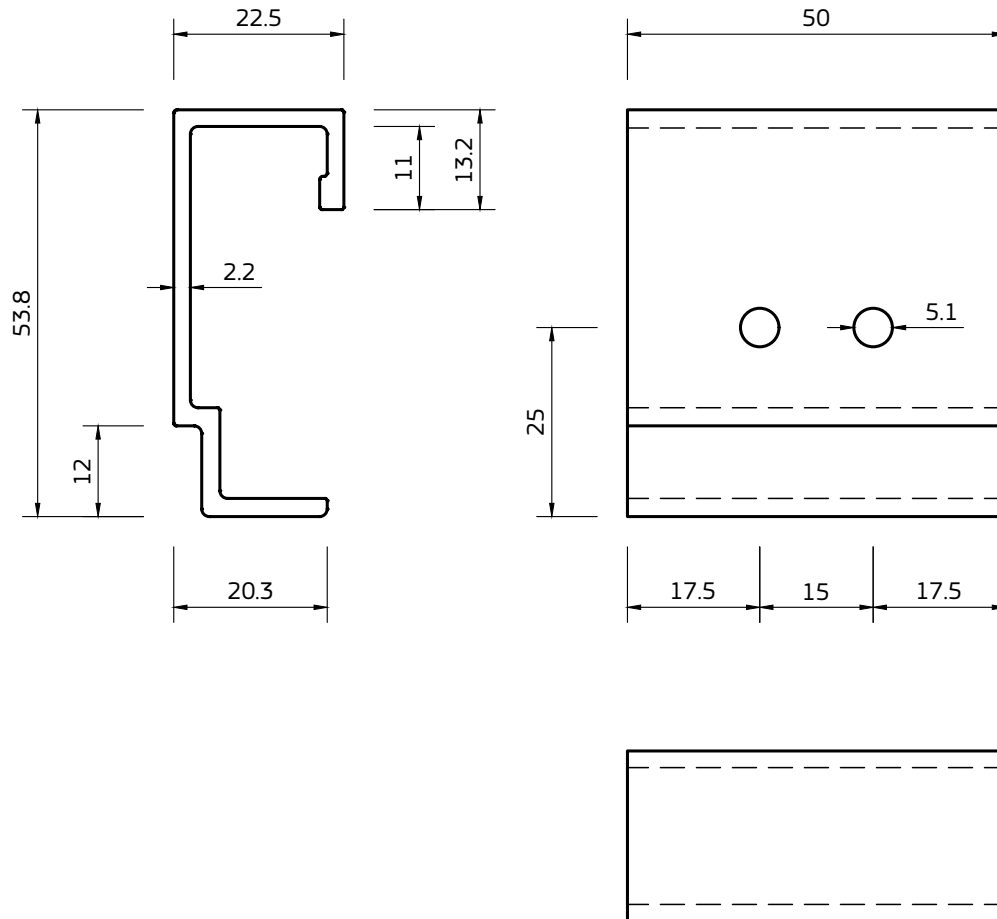
Material: AW 6063 T66

Article No	Description	Hole size	Finish	Weight
06.202.52.50	Adjustable hanger sliding point, holes Ø5, set	Ø5.1	unpainted	39 g/pcs

Non-standard hangers on request.

The hanger set includes M6 bolt & nut. All fasteners are A2 stainless steel.

SYSTEM COMPONENTS

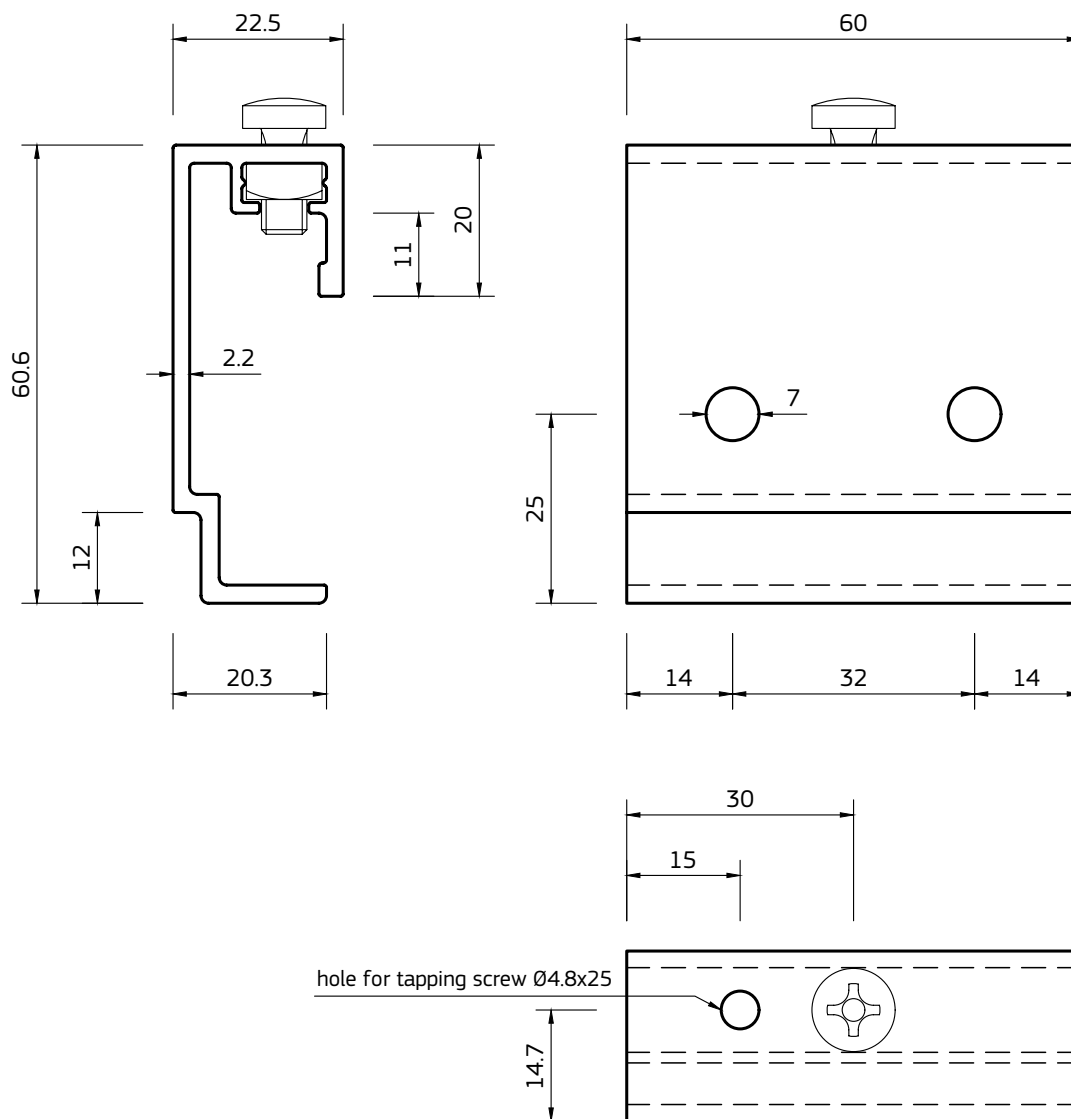


Material: AW 6063 T66

Article No	Description	Hole size	Finish	Weight
06.203.52.50	Hanger sliding point, holes Ø5	Ø5.1	unpainted	32 g/pcs

Non-standard hangers on request.

SYSTEM COMPONENTS



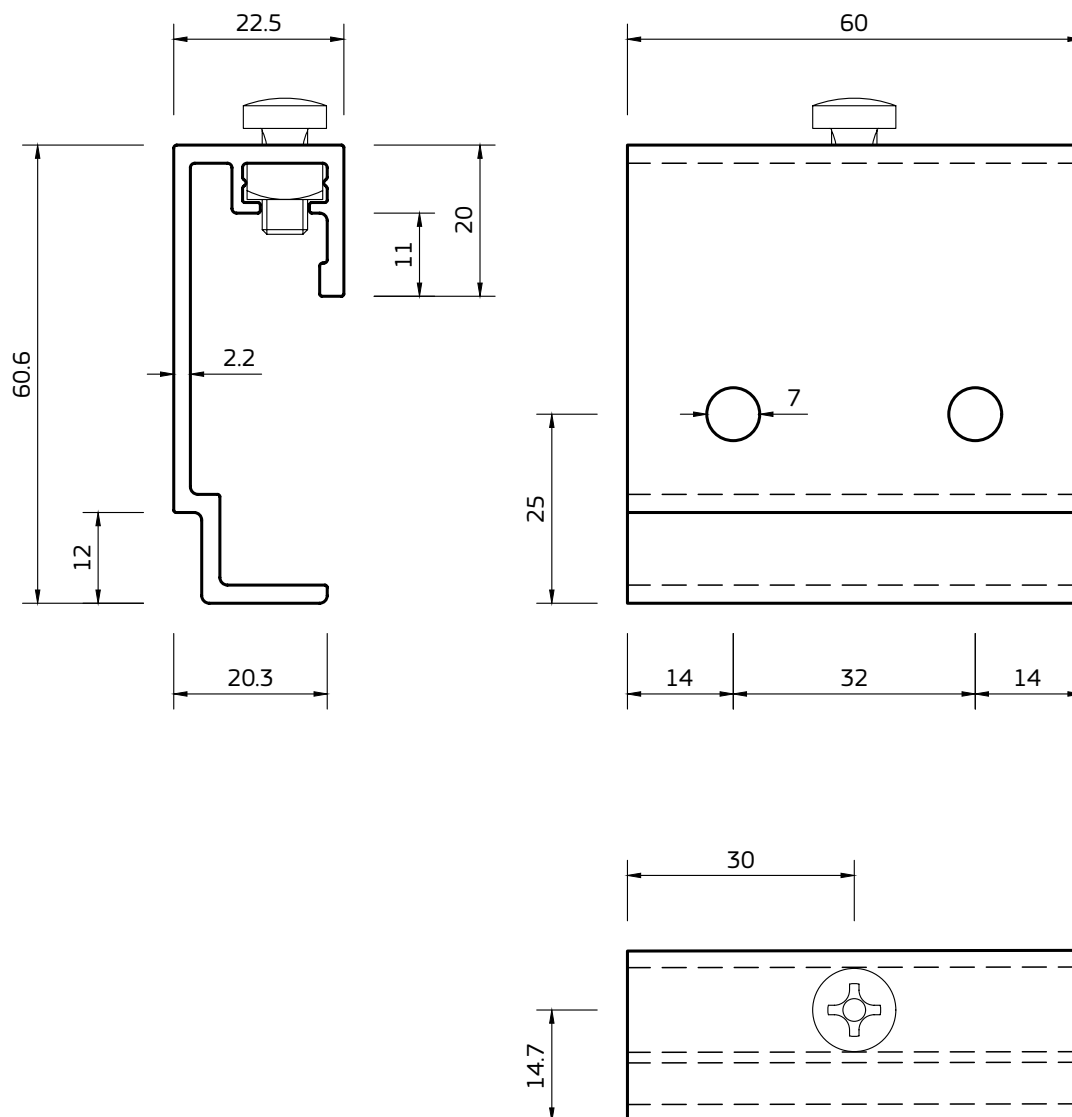
Material: AW 6063 T66

Article No	Description	Hole size	Finish	Weight
06.201.72.60	Adjustable hanger fixed point, holes Ø7, set	Ø7	unpainted	47 g/pcs

Non-standard hangers on request.

The hanger set includes M6 bolt & nut and self-drilling screw Ø4.8x25. All fasteners are A2 stainless steel.

SYSTEM COMPONENTS



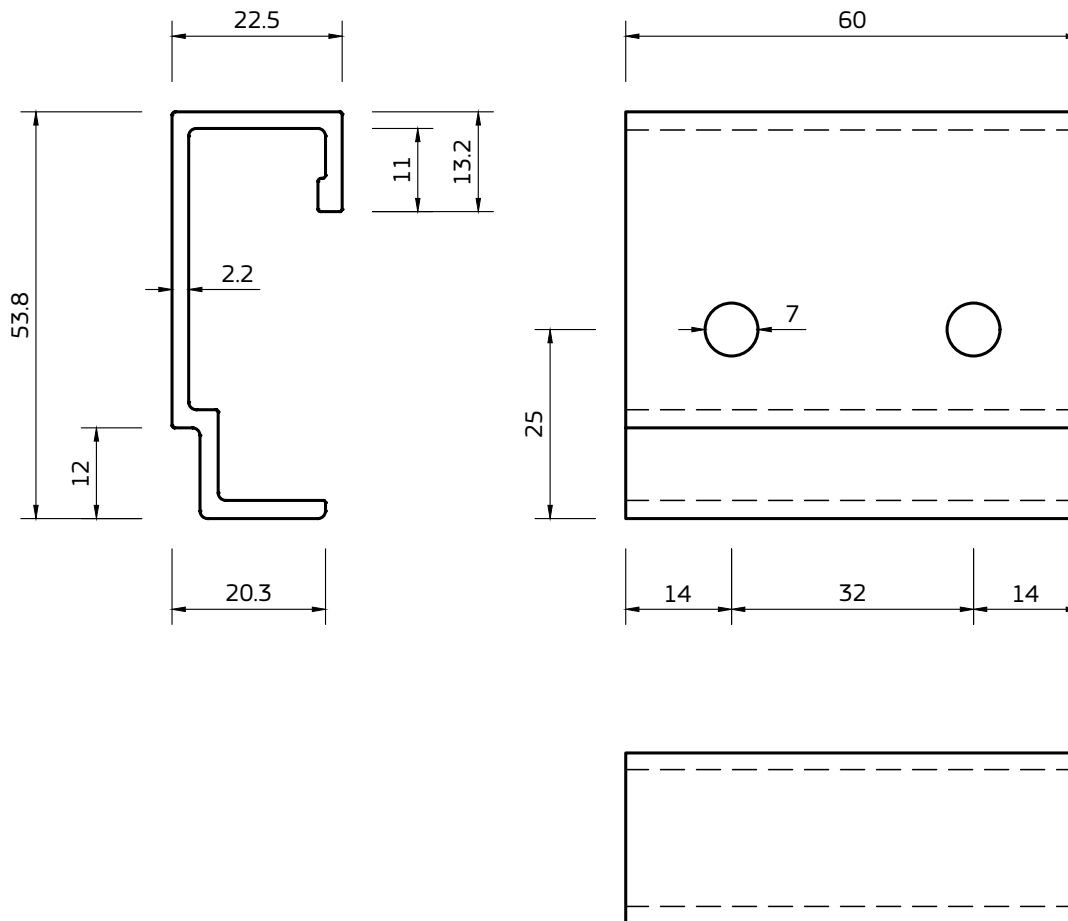
Material: AW 6063 T66

Article No	Description	Hole size	Finish	Weight
06.202.72.60	Adjustable hanger sliding point, holes Ø7, set	Ø7	unpainted	47 g/pcs

Non-standard hangers on request.

The hanger set includes M6 bolt & nut. All fasteners are A2 stainless steel.

SYSTEM COMPONENTS

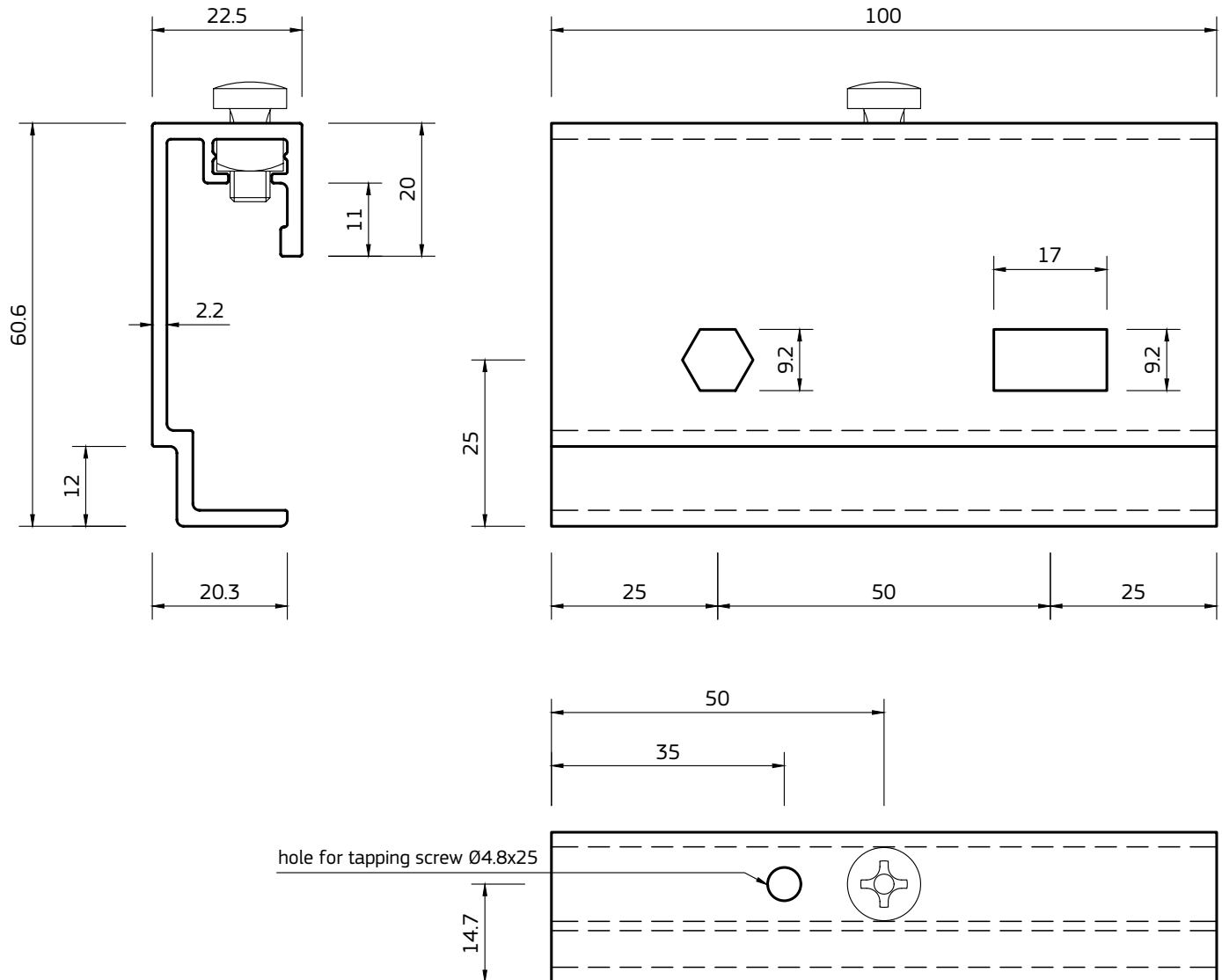


Material: AW 6063 T66

Article No	Description	Hole size	Finish	Weight
06.203.72.60	Hanger sliding point, holes Ø7	Ø7	unpainted	39 g/pcs

Non-standard hangers on request.

SYSTEM COMPONENTS



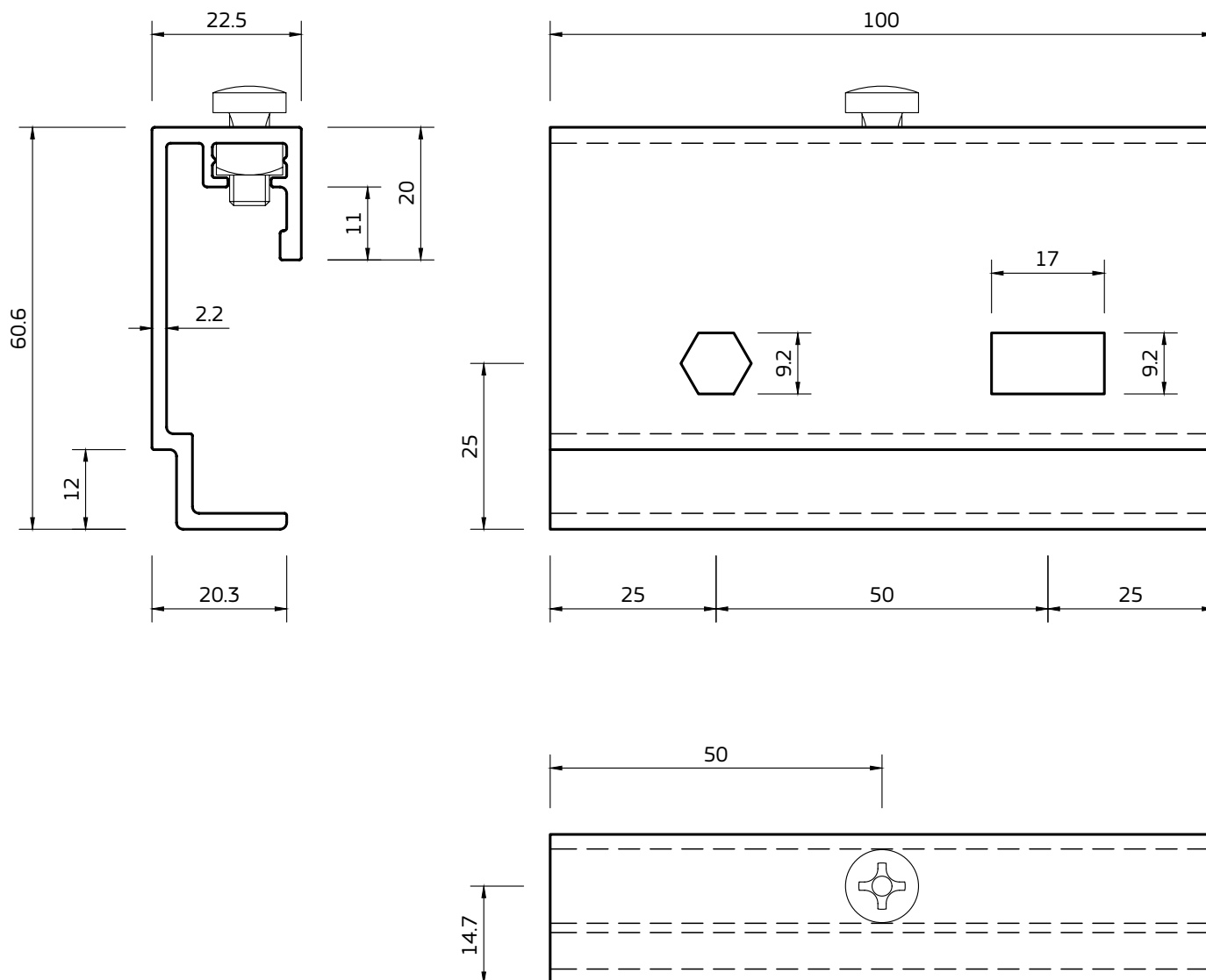
Material: AW 6063 T66

Article No	Description	Hole size	Finish	Weight
06.201.92.100	Adjustable hanger fixed point 100 mm, hex hole, set	per drawing	unpainted	78 g/pcs

Non-standard hangers on request.

The hanger set includes M6 bolt & nut and self-drilling screw Ø4.8x25. All fasteners are A2 stainless steel.

SYSTEM COMPONENTS



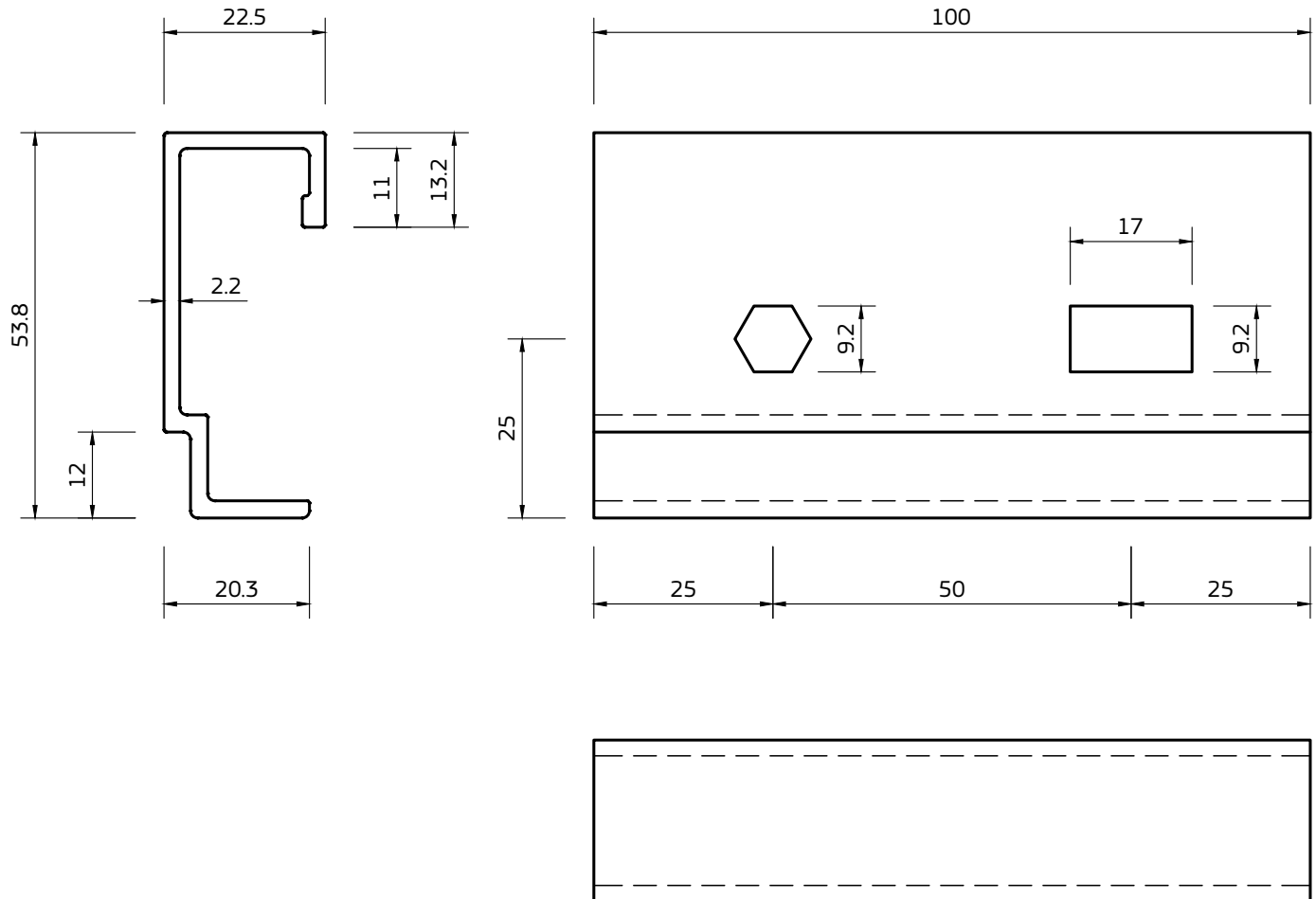
Material: AW 6063 T66

Article No	Description	Hole size	Finish	Weight
06.202.92.100	Adjustable hanger sliding point 100 mm, hex hole, set	per drawing	unpainted	78 g/pcs

Non-standard hangers on request.

The hanger set includes M6 bolt & nut. All fasteners are A2 stainless steel.

SYSTEM COMPONENTS

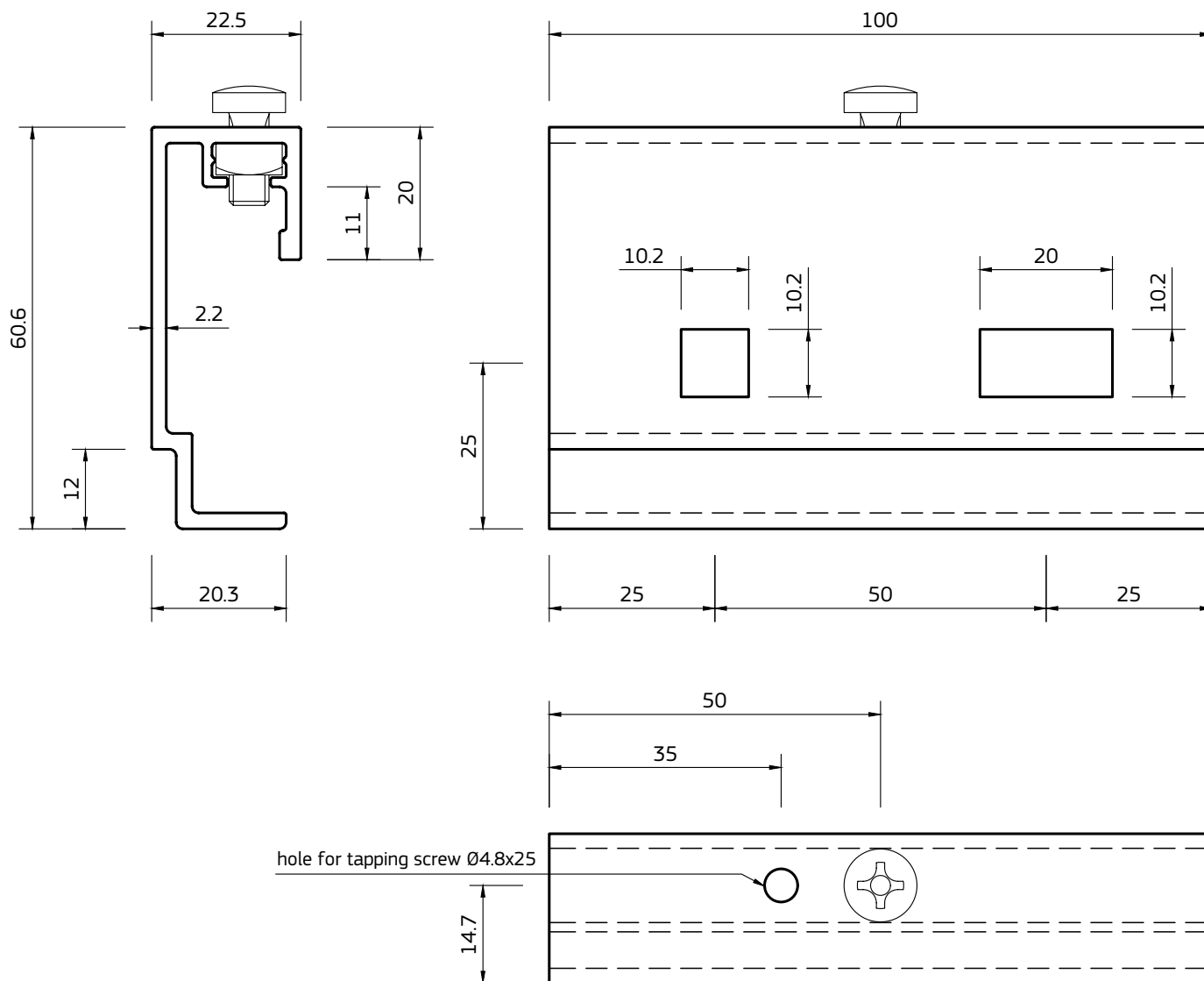


Material: AW 6063 T66

Article No	Description	Hole size	Finish	Weight
06.203.92.100	Hanger sliding point 100 mm, hex hole	per drawing	unpainted	64 g/pcs

Non-standard hangers on request.

SYSTEM COMPONENTS



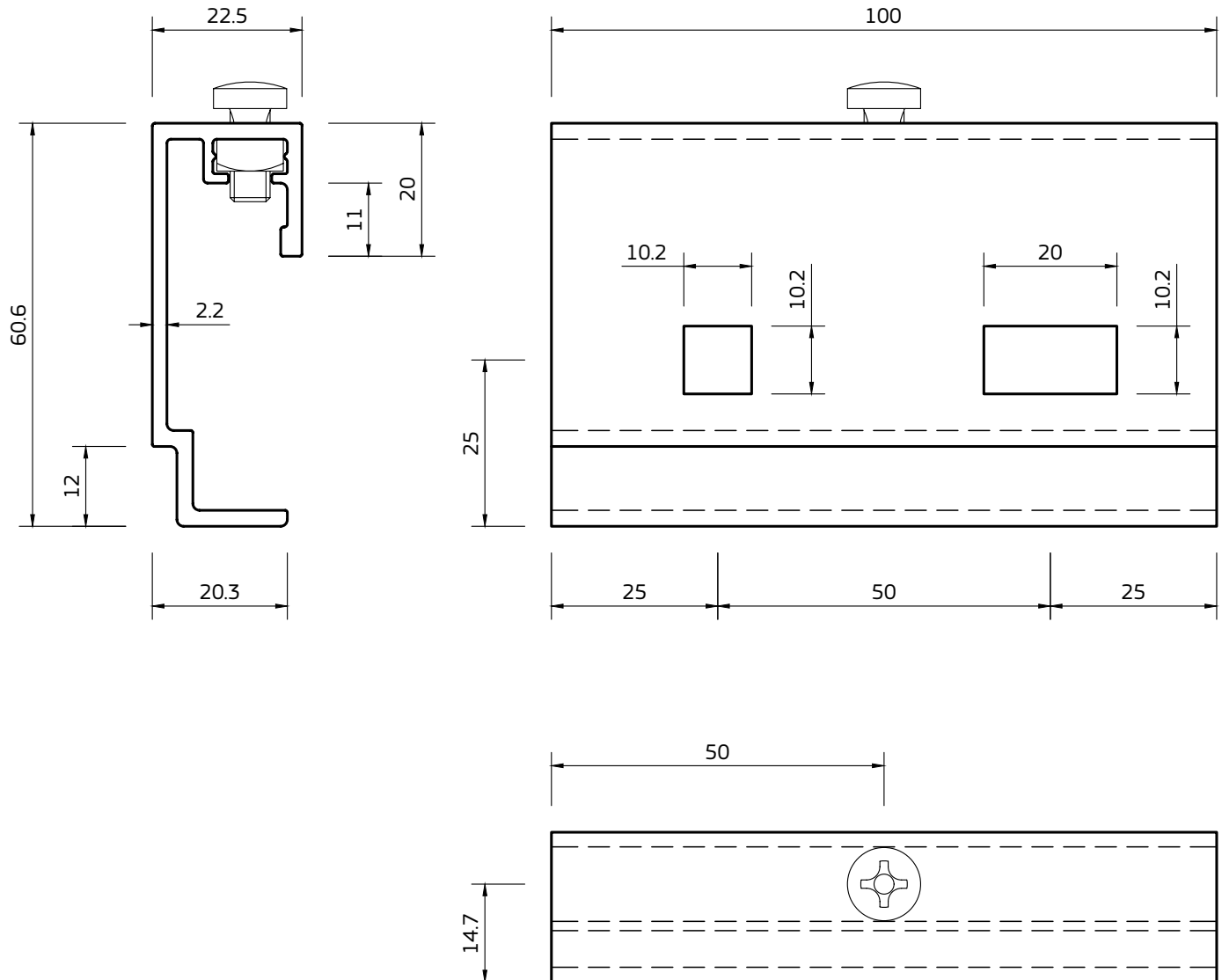
Material: AW 6063 T66

Article No	Description	Hole size	Finish	Weight
06.201.102.100	Adjustable hanger fixed point 100 mm, square hole, set	per drawing	unpainted	78 g/pcs

Non-standard hangers on request.

The hanger set includes M6 bolt & nut and self-drilling screw Ø4.8x25. All fasteners are A2 stainless steel.

SYSTEM COMPONENTS



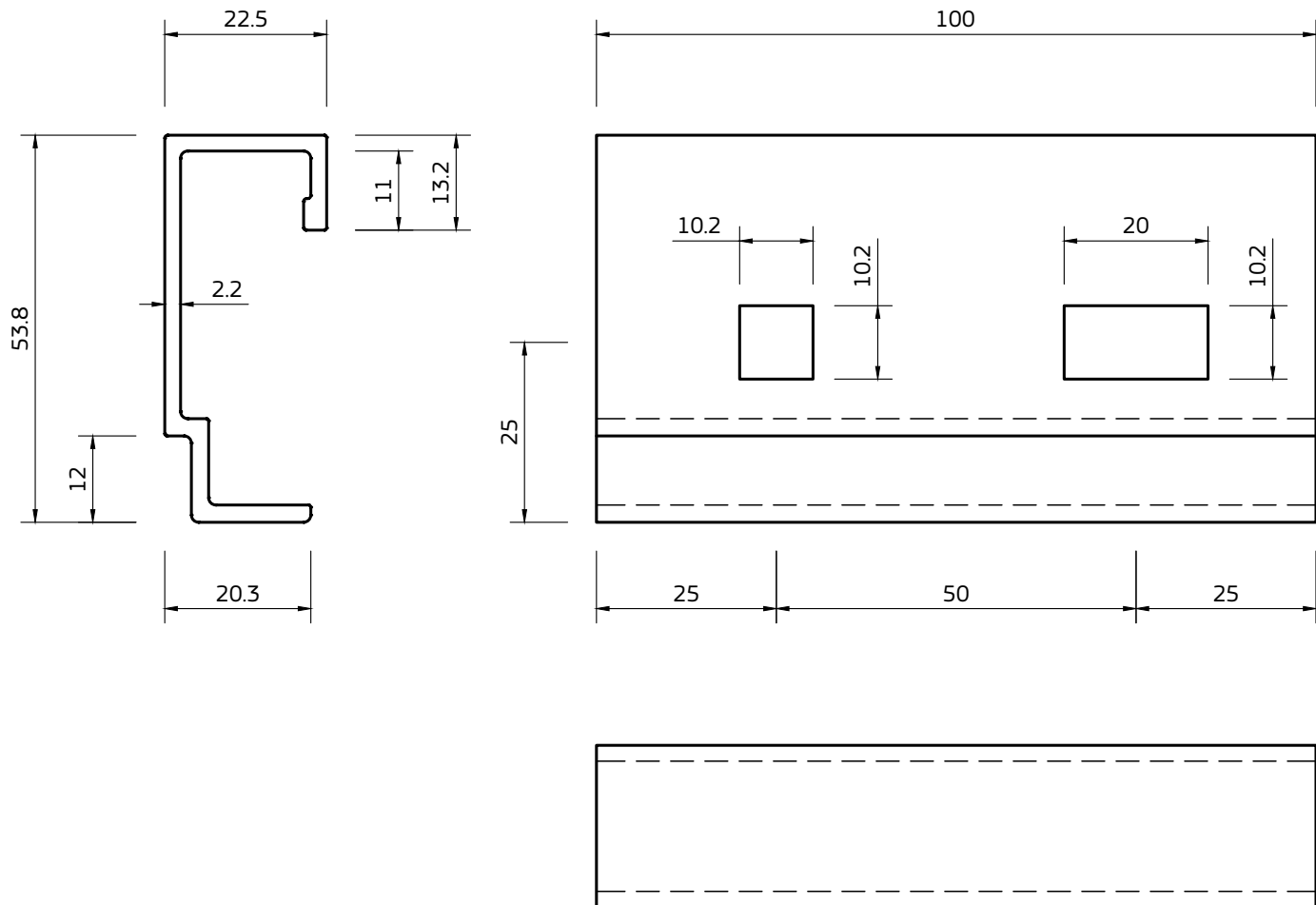
Material: AW 6063 T66

Article No	Description	Hole size	Finish	Weight
06.202.102.100	Adjustable hanger sliding point 100 mm, square hole, set	per drawing	unpainted	78 g/pcs

Non-standard hangers on request.

The hanger set includes M6 bolt & nut. All fasteners are A2 stainless steel.

SYSTEM COMPONENTS

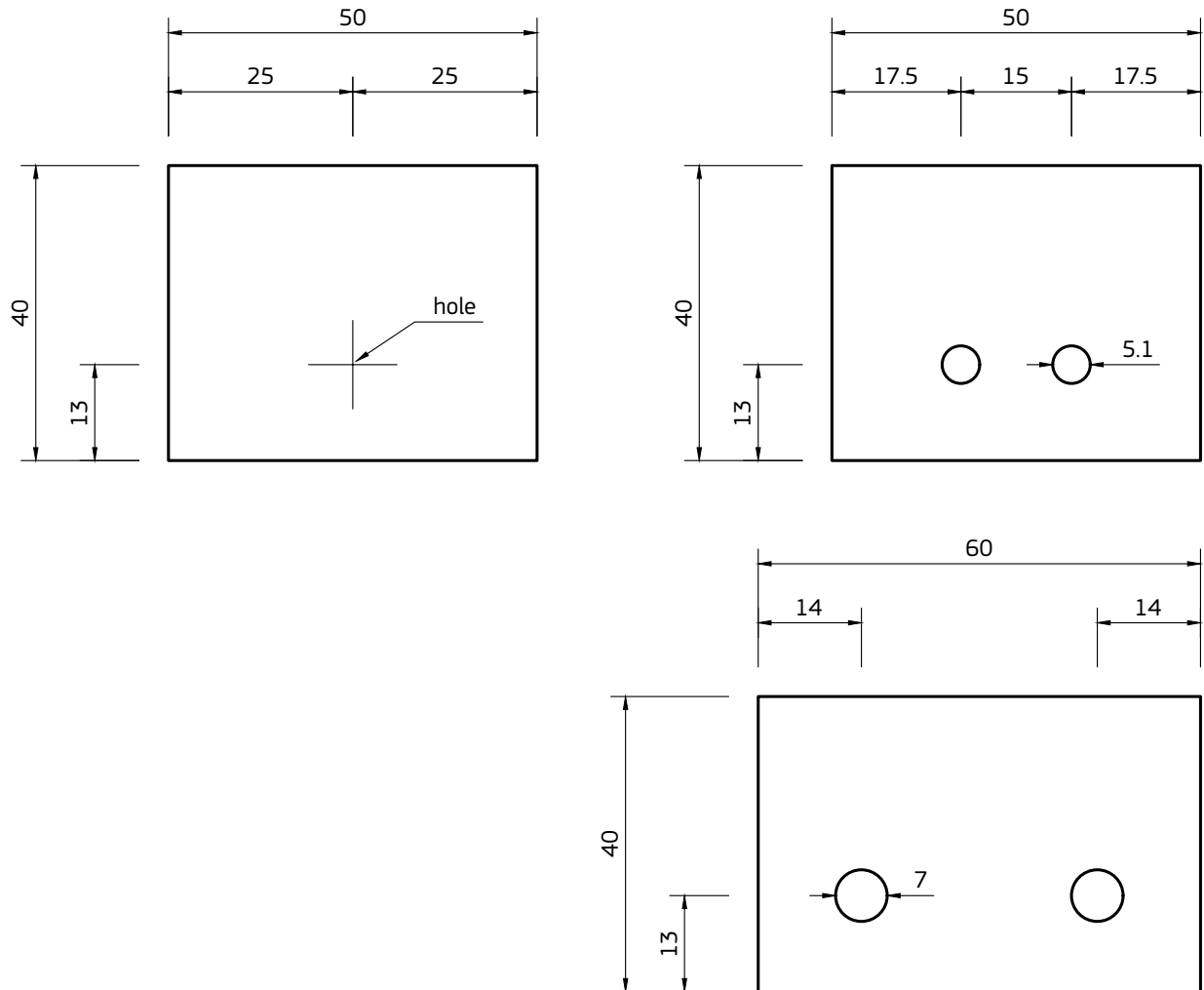


Material: AW 6063 T66

Article No	Description	Hole size	Finish	Weight
06.203.102.100	Hanger sliding point 100 mm, square hole	per drawing	unpainted	64 g/pcs

Non-standard hangers on request.

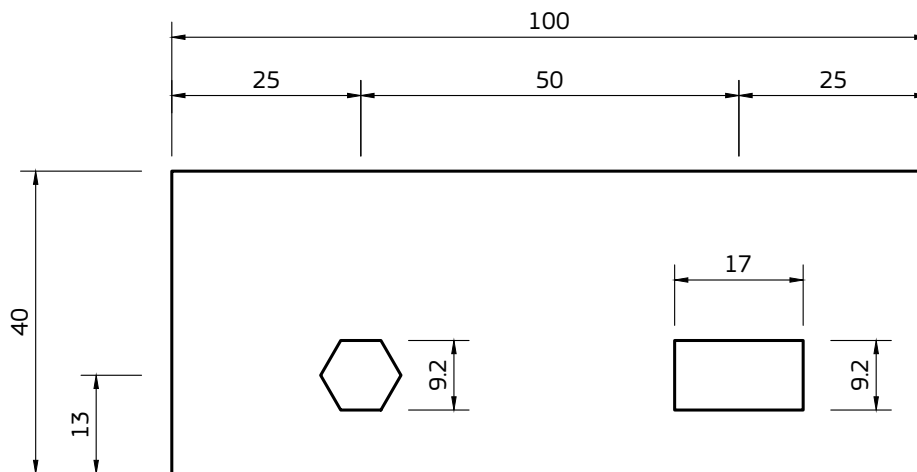
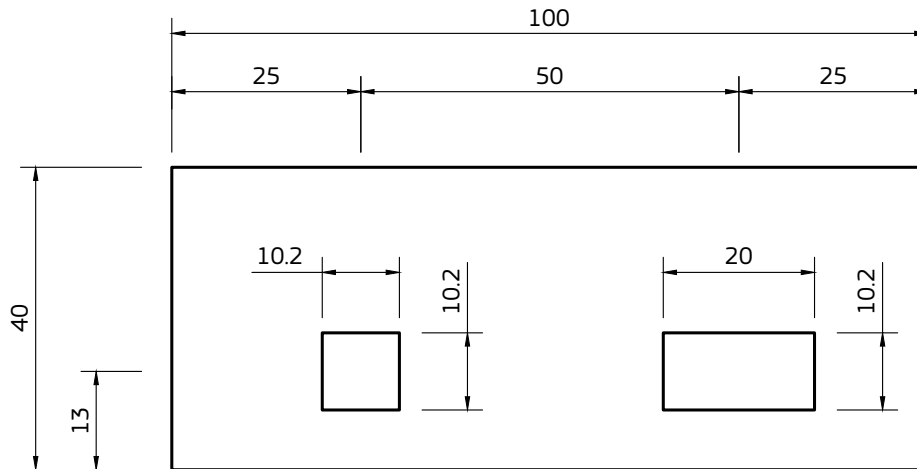
SYSTEM COMPONENTS



Material: Silicone, 70 Shore A

Article No	Description	Hole size	Weight
06.001.5.50	Silicone pad, 0.9 mm thick, hole Ø5	Ø5.1	2 g/pcs
06.001.52.50	Silicone pad, 0.9 mm thick, holes Ø5	2 x Ø5.1	
06.001.6.50	Silicone pad, 0.9 mm thick, hole Ø6	Ø6.1	
06.001.72.60	Silicone pad, 0.9 mm thick, holes Ø7	2 x Ø7	
06.001.8.50	Silicone pad, 0.9 mm thick, hole Ø8	Ø8.1	
06.001.9.50	Silicone pad, 0.9 mm thick, hex hole	SW9	
06.001.10.50	Silicone pad, 0.9 mm thick, square hole	10	

SYSTEM COMPONENTS



Material: Silicone, 70 Shore A

Article No	Description	Hole size	Weight
06.001.102.100	Silicone pad 100 mm, 0.9 mm thick, square holes	per drawing	4 g/pcs
06.001.92.100	Silicone pad 100 mm, 0.9 mm thick, hex holes	per drawing	